

Air Suction Filter Series ZFC



Models

Model		Port size (applicable tube O.D.)	Recommended flow rate	Weight g
		IN side, OUT side	ℓ/min (ANR) <small>Note 1)</small>	
Metric size	ZFC100-04	ø4	10	11.5
	ZFC100-06	ø6	20	
	ZFC200-06	ø6	30	21.5
	ZFC200-08	ø8	50	
Inch size	ZFC101-03	ø5/32"	10	11.5
	ZFC101-07	ø1/4"	20	
	ZFC201-07	ø1/4"	30	21.5
	ZFC201-09	ø5/16"	50	

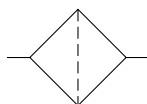
Note 1) Flow rate when initial pressure drop is 0.003MPa or less.

Specifications

Fluid	Air, Nitrogen
Operating pressure	-100 to 0kPa
Withstand pressure	0.5MPa
Operating and ambient temperature range	0 to 60°C (with no freezing)
Filtration degree	10μm
Element differential pressure resistance	0.15MPa
Applicable tubing material	Nylon, Soft nylon, Polyurethane, Soft polyurethane

Note) Do not use in a line where a pressurized condition is maintained since the body may be damaged.

Symbol



How to Order

ZFC 100 — 04 B

- Air suction filter
- In-line type with One-touch fitting
- Type (recommended flow rate)
- With bracket (standard)
- IN/OUT applicable tube O.D.

Tubing size	Symbol	Flow rate ℓ/min (ANR)
Metric size	100	Max. 20
(release bushing: light gray)	200	Max. 50
Inch size	101	Max. 20
(release bushing: orange)	201	Max. 50

Symbol	Tubing size	Applicable model
04	ø4	ZFC100
06	ø6	ZFC100
		ZFC200
08	ø8	ZFC200

Symbol	Tubing size	Applicable model
03	ø5/32"	ZFC101
07	ø1/4"	ZFC101
		ZFC201
09	ø5/16"	ZFC201

Element Part Numbers

Part No.	Applicable filter model	Element size mm
I-62S-A	ZFC100	ø12 x ø8 x L20
	ZFC101	
I-63S-A	ZFC200	ø16 x ø12 x L25
	ZFC201	

Note) When ordering spare elements, enter "-A" at the end of the part number.
Spare elements and O-rings for the cover are sold in sets of 10 pieces each.
Example) I-62S-A

Principal Materials

Description	Material
Case	Special transparent nylon
Cover	PBT
Element	PVF
O-ring, Seal	NBR

ZX

ZR

ZM

ZY

ZH

ZU

ZL

ZF

ZP

ZCU

CYV

Vacuum related

Series ZFC Air Suction Filter with One-touch Fittings

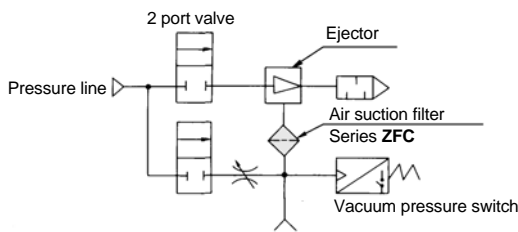
Application Examples

Fields: Semiconductors, electronics, automotive assembly, food processing and medical equipment, all types of manufacturing assembly equipment

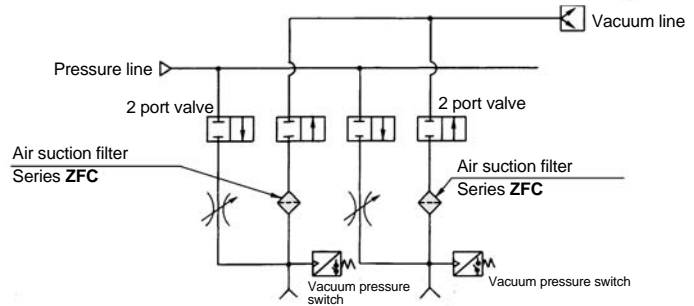
Machinery: Robotic hand/material handling, automotive assembling machines, automatic transfer equipment, pick and place, printing machinery

Applications: Vacuum adsorption transfer, vacuum adsorption retention, vacuum generated air flow

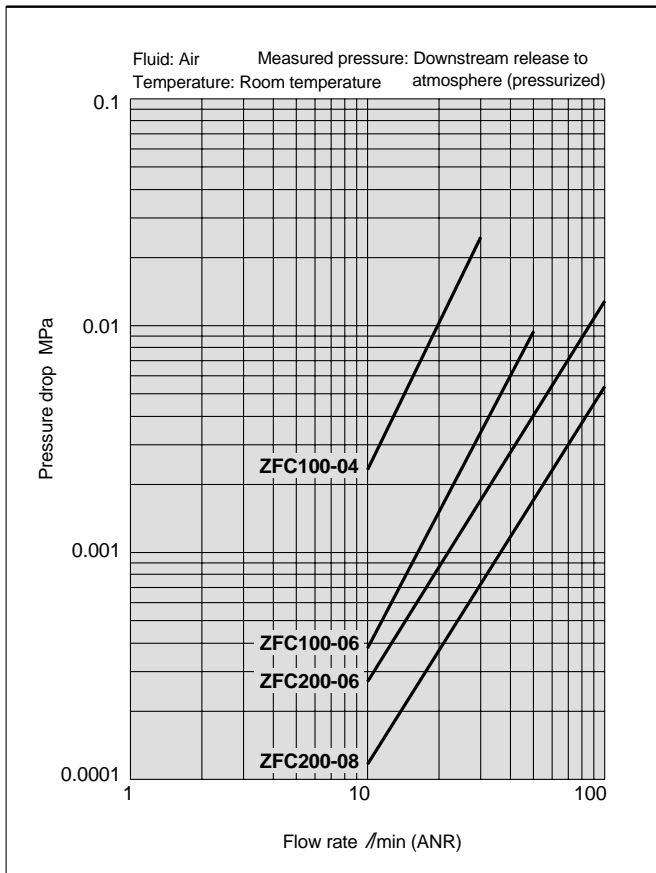
Ejector system application



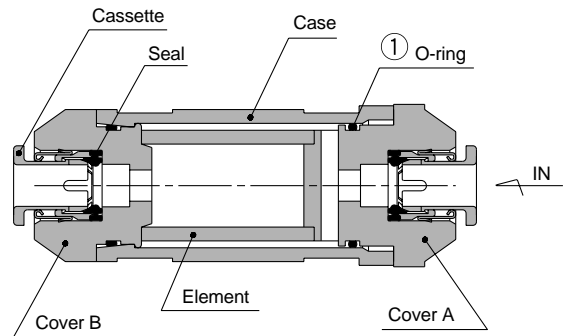
Vacuum pump system application



Flow Rate Characteristics (Piping tube: Metric size, Inch size)



Construction

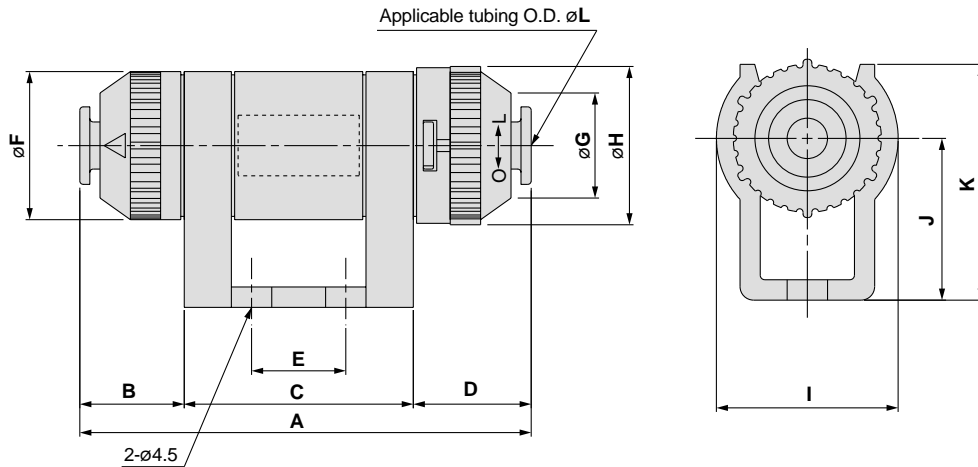


Replacement parts

No.	Description	Part No.	
		ZFC100, 101	ZFC200, 201
①	O-ring	S10	S14
Accessory	Bracket	BP-16S	BP-17S

* O-rings are already installed in spare elements.
 A bracket is included with the product.

Dimensions



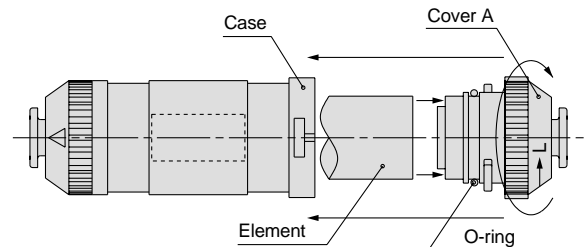
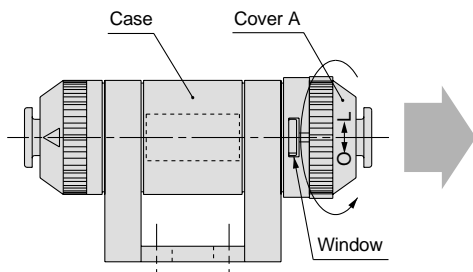
Model	A	B	C	D	E	F	G	H	I	J	K	L
ZFC100-04	53.2	9.1	30	14.1	10	18	11.6	19.5	23	20	29	4
ZFC100-06												6
ZFC101-03												5/32"
ZFC101-07												1/4"
ZFC200-06	67	15.5	34	17.5	14	22	15.6	23.1	27	24	35	6
ZFC200-08												8
ZFC201-07												1/4"
ZFC201-09												5/16"

ZX
ZR
ZM
ZY
ZH
ZU
ZL
ZF
ZP
ZCU
CYV
Vacuum related

Element Replacement

Element replacement procedure

- 1) Stop operation and reduce the filter's internal pressure to atmosphere.
- 2) Turn cover A counter clockwise until it stops (approx. 45°).
- 4) Install a new element on cover A and insert it into the case.



- 3) Pull cover A out of the case and remove the element. Remove dust and other debris remaining inside the case by blowing it out with air, etc. (Also confirm that the O-ring is not damaged.)
- 5) After aligning the projections (2 places) on cover A with the grooves in the case, push cover A in and turn it clockwise until it stops (approx. 45°). (Confirm that the projections on cover A can be seen completely through the windows in the case.)
- 6) Restart operation.