



Filter for Cleaning Solvent Quick Change Filter

Series *FQ1*



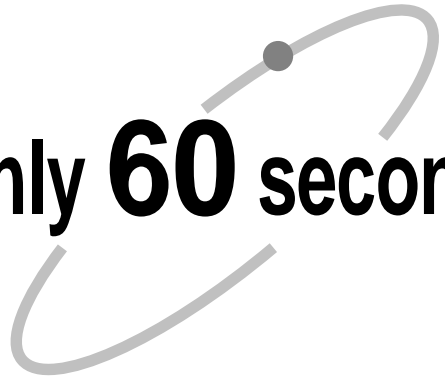
No tools required. Takes only 60 seconds for element replacement.

- HA
- ID
- AMG
- AFF
- AM
- FQ1**

Related products

Element replacement in only 60 seconds

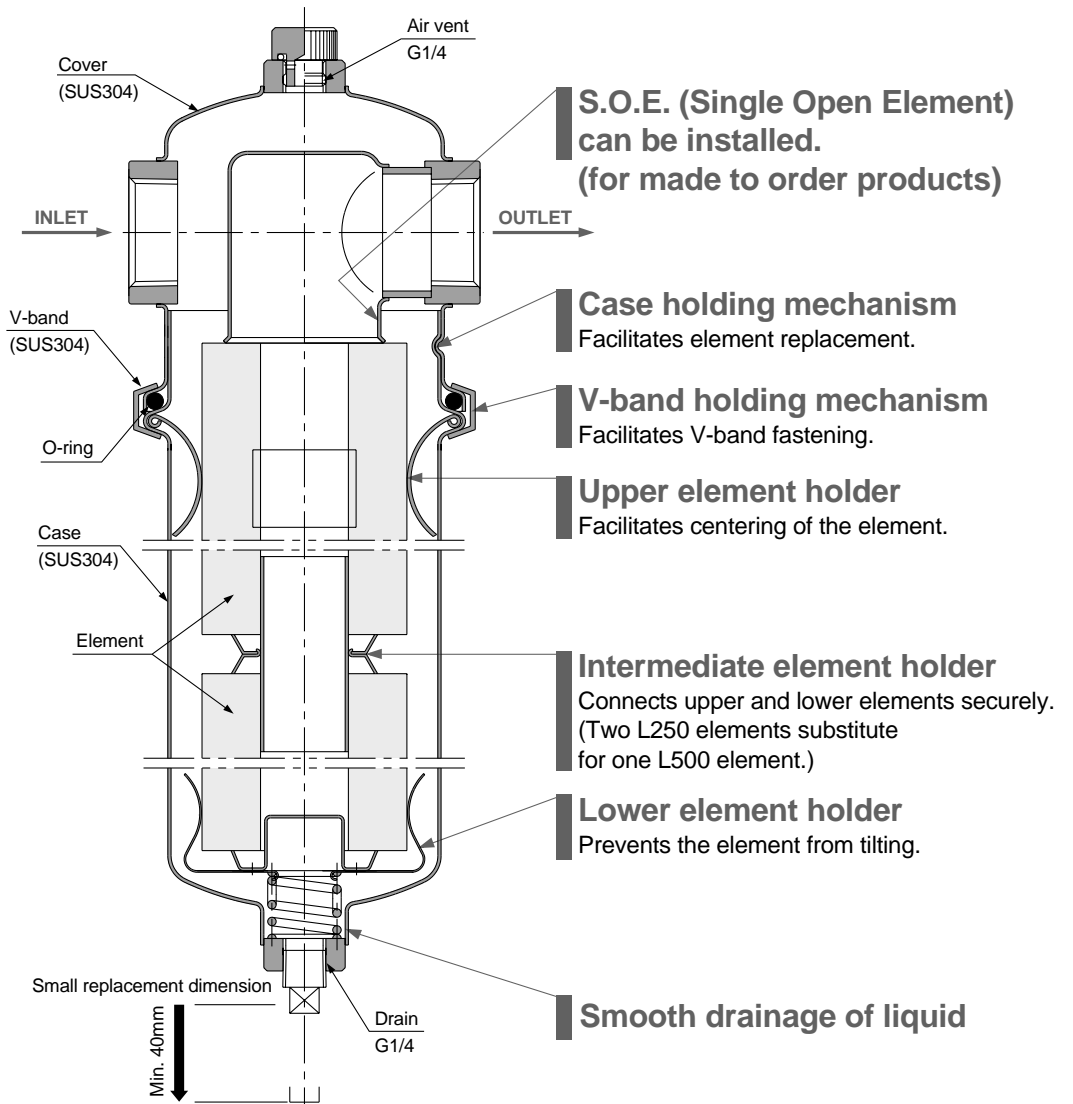
Replacement in less than two minutes is possible including removal of liquid.



Removing liquid 45 seconds
 Removing the case
 Replacing the element 51 seconds
 Installing the case



PATENT PENDING



Quick Change Filter

Series *FQ1*

No tools required, easy element replacement

Removing the element

- 1 Stop liquid flowing into the filter. (If there are valves before and after the filter, close these valves.)
- 2 Release pressure inside the filter completely by loosening the air vent plug.
- 3 Discharge fluid inside the filter by removing the drain plug.
- 4 Remove the stopper from the retainer by loosening the wing bolt on the V-band.



- 5 To extract the element from the case, rotate the case counterclockwise about 20 degrees until it stops, then lower it by about 40mm and remove it from the cover.

Note) When two L250 elements are used, do not discard the intermediate holder and lower element holder attached under the element, since they are reused.



- 6 Clean the inside of the case, gaskets, seals, holders, plugs, etc., with a pure fluid or solvent.

Installing the element

- 1 Make sure that O-rings are not damaged or deformed. If needed, replace with new ones.
- 2 Set the lower element holder under the element, and place them in the case.

[When using two L250 elements]
Insert the intermediate holder into the lower part of the second element (upper level), and then place them into the case after inserting one side of the intermediate holder into the upper part of the element that is attached to the lower holder.



- 3 Align the indentations of the case with the projections of the cover, lift the case upward by about 10mm and rotate it clockwise about 20 degrees.
- 4 Mount it in such a way that the entire flanged perimeter of the cover and case are held by the retainer of the V-band.



- 5 Set the stopper on the retainer while holding down the V-band outside perimeter, and then tighten the wing bolt to the prescribed position.
- 6 Tighten the drain plug.
- 7 When air release is completed, tighten the air vent plug.

Filter Housings

FQ1010
Element size
L125 (125mm)



FQ1011
Element size
L250 (250mm)



FQ1012
Element size
L500 (500mm)

Filter Elements

(Standard elements)

Fibre element

- Nominal filtration accuracy: 0.5 to 100µm
- Ideal for a relatively high level of impurities
- Ideal for use as a prefilter
- Material: PP (EHM ... x 3)
Cotton (EH)



Micromesh element

- Nominal filtration accuracy: 5 to 105µm
- High filtration accuracy with stainless steel micromesh
- Pleated type provides three times more filtration area than a cylinder.
- Easy element cleaning and regeneration
- Material: SUS304 (EM100, EM200)
SUS316 (EM500, EM600)



(Made to order elements)

HEPO II element

- Absolute filtration accuracy: 2 to 13µm
- US FDA compatible
- Nonwoven fabric element with high filtration accuracy of more than 99% removal and without fiber outflow and release of chemical components
- Material: PP (EJ102S ... x 0)



PP depth element

- Nominal filtration accuracy: 1 to 75µm
- Material: PP
EJ202S ... x 11 (L125)
EJ302S ... x 11 (L250)
EJ402S ... x 11 (L500)



Membrane element

- Absolute filtration accuracy: 0.2, 0.4µm
- Material: PP (ED102S ... x 0)
CA (ED111S ... x 0)



Note) PP: Polypropylene

HA

ID

AMG

AFF

AM

FQ1

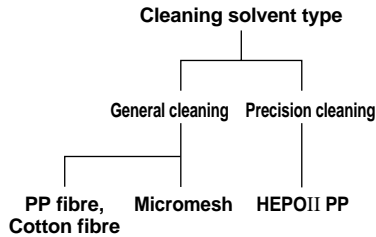
Related products

Model Selection

Selecting the Element and Housing

1 Selecting the element

According to the type and the cleaning level of a cleaning solvent, select corresponding element and seal types by referring to the "Standard Element Fluid Compatibility" table on the right.



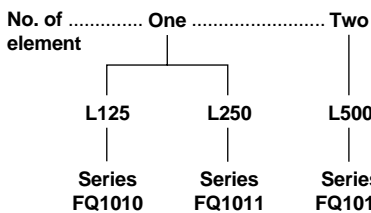
- Specifications: Select desired temperature conditions and filtration accuracy from the "Standard Element Selection Guide" on the right.

2 Calculating the number of elements

- Verify the recommended flow rate of the selected element with the "Standard Element Selection Guide".
- Find a value for the formula, Necessary flow rate ÷ Recommended flow rate, rounding up to the nearest whole number. The value obtained is the number of necessary elements (equivalent to L250).

3 Selecting the housing

Select a housing type to hold the elements selected in **2**.



- * Consult SMC if the number of elements calculated in **2** exceeds two.
- Make sure whether the operating temperature range, pressure and cleaning solvent type meet the specifications.

4 Determining the filter model

Determine the filter model from the element type and the number of elements selected in **1** and **2**, and the housing type selected in **3**, referring to "How to Order".

Standard Element Fluid Compatibility

Cleaning level and Element	Cleaning level	General cleaning				Precision cleaning	Applicable seal material and cleaning solvent	
		Nominal filtration accuracy 105µm ↔ 0.5µm				Absolute filtration accuracy 13µm ↔ 2µm	Nitrile rubber	Fluoro rubber
	Name	Fiber element	Fiber element	Micro-mesh element	Micro-mesh element	HEPO II element		
Cleaning solvent type	Name	PP	Cotton	SUS304	SUS316	PP	NBR	FPM
	Material	PP	Cotton	SUS304	SUS316	PP	NBR	FPM
	Element part no.	EHM ... x 3	EH	EM	EM	EJ		
	Element symbol	Q	H	M	L	R		
Water	Potable water	Suitable	Optimal	Optimal	Suitable	Optimal	Optimal	Suitable
	Industrial water	Optimal	Suitable	Optimal	Suitable	Unsuitable	Optimal	Suitable
	Distilled water	Unsuitable	Unsuitable	Unsuitable	Unsuitable	Optimal	Optimal	Suitable
	Ion exchange water	Unsuitable	Unsuitable	Unsuitable	Unsuitable	Optimal	Optimal	Suitable
	Pure water, Ultrapure water	Unsuitable	Unsuitable	Unsuitable	Unsuitable	Optimal	Optimal	Suitable
Petroleum	Gas oil, Kerosene	Optimal	Suitable	Suitable	Optimal	Optimal	Optimal	Suitable
	Xylene	Unsuitable	Optimal	Unsuitable	Optimal	Unsuitable	Unsuitable	Optimal
Alkali	Ammonia	Optimal	Unsuitable	Optimal	Suitable	Optimal	Optimal	Unsuitable
	Sodium hydroxide	Optimal	△(Note)	Optimal	Suitable	Optimal	Optimal	Unsuitable
Chlorine, Fluorine	Trichlorethylene	Unsuitable	Optimal	Unsuitable	Optimal	Unsuitable	Unsuitable	Optimal
	Methylene chloride	Unsuitable	Optimal	Unsuitable	Optimal	Unsuitable	Unsuitable	Optimal
Alcohol	Isopropyl alcohol (IPA)	Optimal	Suitable	Optimal	Suitable	Optimal	Suitable	Optimal

* For detailed element specifications, refer to the applicable element symbol in the "Standard Element Selection Guide" below. Furthermore, consult SMC for other fluids.

Note) △: Can be used at low temperatures and low concentration.

Made to Order

■ PP depth element EJ

- General cleaning
- Nominal filtration accuracy: 1 to 75µm
- Water, alkali, or alcohol bases

■ Membrane element ED

- Precision cleaning
- Absolute filtration accuracy: 0.2, 0.4µm
- Water, alkali, or alcohol bases

Standard Element Selection Guide

Cleaning level	Name	Element symbol	Material	Element part no.	Temperature range (°C)	Filtration accuracy (µm)	Recommended flow rate (l/min)	Differential pressure resistance (MPa)
General cleaning	Fiber element	Q	PP	EHM ... x 3	0 to 100	(Nominal) 0.5	5	0.2
						1	15	
		H	Cotton	EH		5	25	
						10	30	
						20		
	Micro-mesh element	M	SUS304	EM1, 2		50		
						75		
	L	SUS316	EM5, 6	0 to 250		100		
						(Nominal) 5	25	
						10	30	
20								
Precision cleaning	HEPO II element	R	PP	EJ	0 to 80	(Absolute) 2	30	0.5
						4		
						6		
						13		

Series FQ1



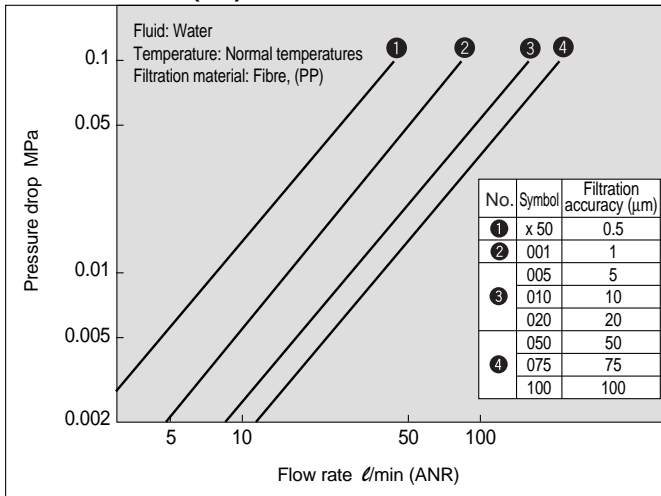
Specifications

Model		FQ1010	FQ1011	FQ1012
No. of built-in elements (L: Element length in mm)		1 (L125)	1 (L250)	2 (L250 x 2)
Operating pressure		Maximum 1MPa		
Operating temperature		Maximum 80°C (Not exceeding boiling point)		
Port size Rc		1/2, 3/4	1/2, 3/4, 1	3/4, 1
Material	Housing/Seal	SUS304/NBR or FPM		
	Element (Note)	Cotton, PP, SUS304, SUS316, etc.		
Element replacement differential pressure (recommended)		Maximum 0.1MPa		
Weight kg		Approx. 1.5	Approx. 1.9	Approx. 2.7

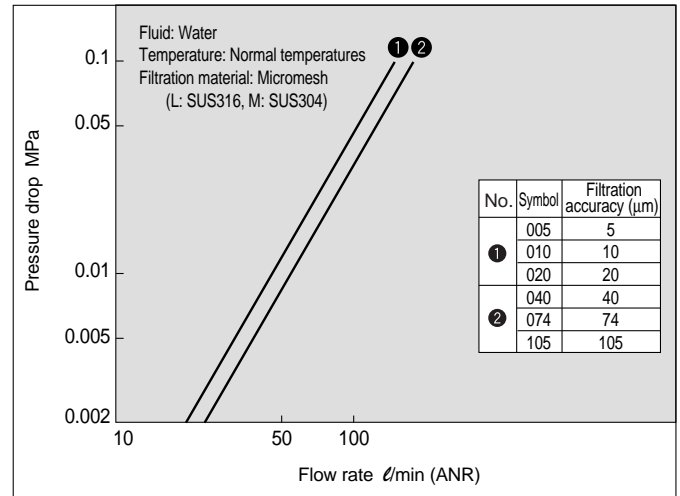
Note) For FQ1010, only micromesh elements and PP depth elements are used.

Flow Characteristics

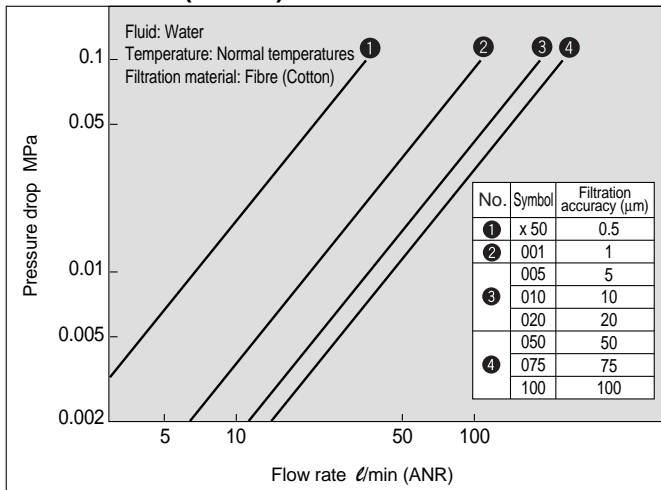
Fibre element (PP): FQ1011N-06-Q Symbol



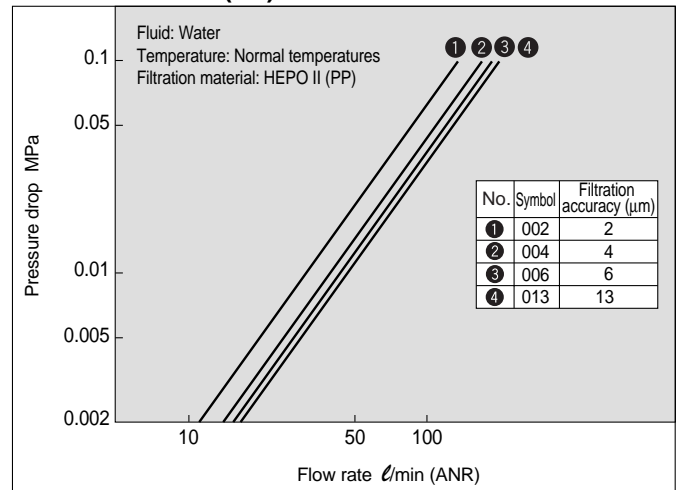
Micromesh element: FQ1011N-06-M Symbol



Fibre element (Cotton): FQ1011N-06-H Symbol



HEPO II element (PP): FQ1011N-06-R Symbol



Note) The recommended flow rate is the rate for an initial pressure drop of 0.01 to 0.02 MPa.

HA

ID

AMG

AFF

AM

FQ1

Related products

Series FQ1

How to Order Filters

<Applicable element dimensions: $\phi 65 \times 125\text{mm}$ >

FQ1 0 1 0 N 04 M005N B

Model symbol (In-line filters)

Element size 125mm

Element type
Select from tables on the right.

Bore size

04	Rc 1/2
06	Rc 3/4

Housing O-ring material

N	NBR
V	FPM

Element sealing method

1	Flat gasket (D.O.E)
---	---------------------


Housing material

Symbol	Cover	Case
0	SUS304	SUS304

Options

Nil	N/A
B	Bracket
P*	Quick plug

* A square plug set is normally used for the drain unit.



<Applicable element dimensions: $\phi 65 \times 250\text{mm}$ >

FQ1 0 1 1 N 06 Q005 B

Model symbol (In-line filters)

Element size 250mm

Element type
Select from tables on the right.

Bore size

04	Rc 1/2
06	Rc 3/4
10	Rc 1

Housing O-ring material

N	NBR
V	FPM

Element sealing method

1	Flat gasket (D.O.E)
---	---------------------


Housing material

Symbol	Cover	Case
0	SUS304	SUS304

Options

Nil	N/A
B	Bracket
P*	Quick plug

* A square plug set is normally used for the drain unit.



<Applicable element dimensions: $\phi 65 \times 250\text{mm}$ (2 pcs.)>

FQ1 0 1 2 N 10 Q005 B

Model symbol (In-line filters)

Element size 500mm (250mm x 2)

Element type
Select from tables on the right.

Bore size

06	Rc 3/4
10	Rc 1

Housing O-ring material

N	NBR
V	FPM

Element sealing method

1	Flat gasket (D.O.E)
---	---------------------


Housing material

Symbol	Cover	Case
0	SUS304	SUS304

Options

Nil	N/A
B	Bracket
P*	Quick plug

* A square plug set is normally used for the drain unit.



Element and Seal Part Numbers

1. Fibre element (PP)

Dimensions	Element symbol	Filtration accuracy (μm)	Part number
$\phi 65 \times 250\text{mm}$	QX50	0.5	EHM10AX3
	Q001	1	EHM39R10AYX3
	Q005	5	EHM23R10AYX3
	Q010	10	EHM19R10AYX3
	Q020	20	EHM15R10AX3
	Q050	50	EHM11R10AX3
	Q075	75	EHM10R10AX3
	Q100	100	EHM8R10AX3

2. Fibre element (Cotton)

Dimensions	Element symbol	Filtration accuracy (μm)	Part number
$\phi 65 \times 250\text{mm}$	HX50	0.5	EH10G
	H001	1	EH39R10GV
	H005	5	EH23R10GV
	H010	10	EH19R10GV
	H020	20	EH15R10G
	H050	50	EH11R10G
	H075	75	EH10R10G
	H100	100	EH8R10G

3. Micromesh element (SUS304) Bonding material: Epoxy resin

Dimensions	Element symbol	Filtration accuracy (μm)	Part number
$\phi 65 \times 250\text{mm}$	M005□	5	EM100-005□
	M010□	10	EM100-010□
	M020□	20	EM100-020□
	M040□	40	EM100-040□
	M074□	74	EM100-074□
	M105□	105	EM100-105□
$\phi 65 \times 125\text{mm}$	M005□	5	EM200-005□ x 4
	M010□	10	EM200-010□ x 4
	M020□	20	EM200-020□ x 4
	M040□	40	EM200-040□ x 4
	M074□	74	EM200-074□ x 4
	M105□	105	EM200-105□ x 4

(Note) Specify seal material in place of "□" (N for NBR or V for FPM).

4. Micromesh element (SUS316) Bonding material: Nickel solder

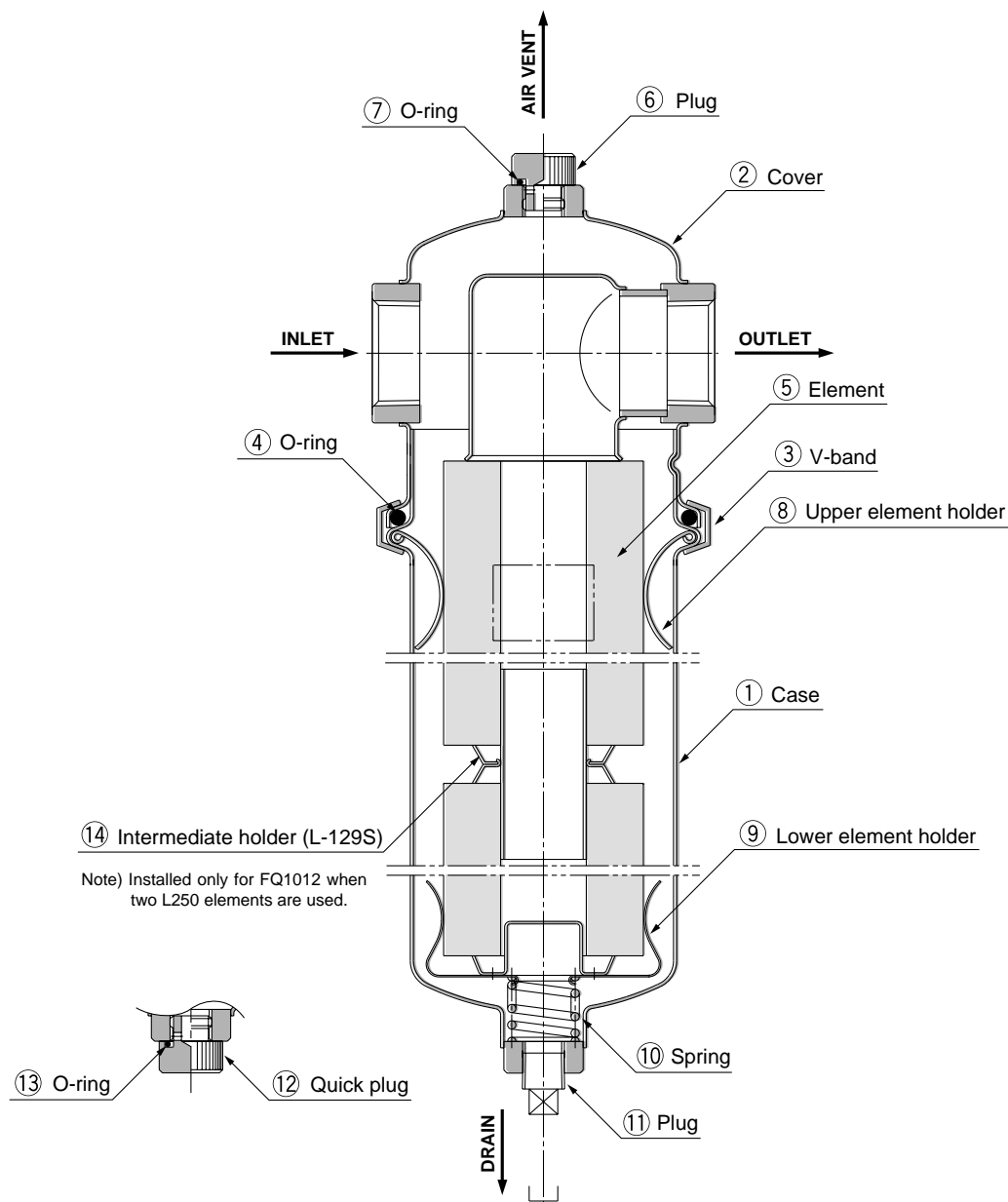
Dimensions	Element symbol	Filtration accuracy (μm)	Part number
$\phi 65 \times 250\text{mm}$	L005□	5	EM500-005□
	L010□	10	EM500-010□
	L020□	20	EM500-020□
	L040□	40	EM500-040□
	L074□	74	EM500-074□
	L105□	105	EM500-105□
$\phi 65 \times 125\text{mm}$	L005□	5	EM600-005□ x 4
	L010□	10	EM600-010□ x 4
	L020□	20	EM600-020□ x 4
	L040□	40	EM600-040□ x 4
	L074□	74	EM600-074□ x 4
	L105□	105	EM600-105□ x 4

(Note) Specify seal material in place of "□" (N for NBR or V for FPM).



Elements other than 1 to 4 listed above are also available. Refer to "Made to Order" elements on pages 4.6-10 and 4.6-11 for details.

Construction



⑭ Intermediate holder (L-129S)
 Note) Installed only for FQ1012 when two L250 elements are used.

Replacement parts: Seals

No.	Description	Part number	Dimensions (mm)	Material
④	O-ring	JIS B2401-1A-P85	I.D. 84.6 x ø5.7	NBR
		JIS B2401-4D-P85		FPM
⑦	O-ring	JIS B2401-1A-P11	I.D. 10.8 x ø2.4	NBR
		JIS B2401-4D-P11		FPM

HA

ID

AMG

AFF

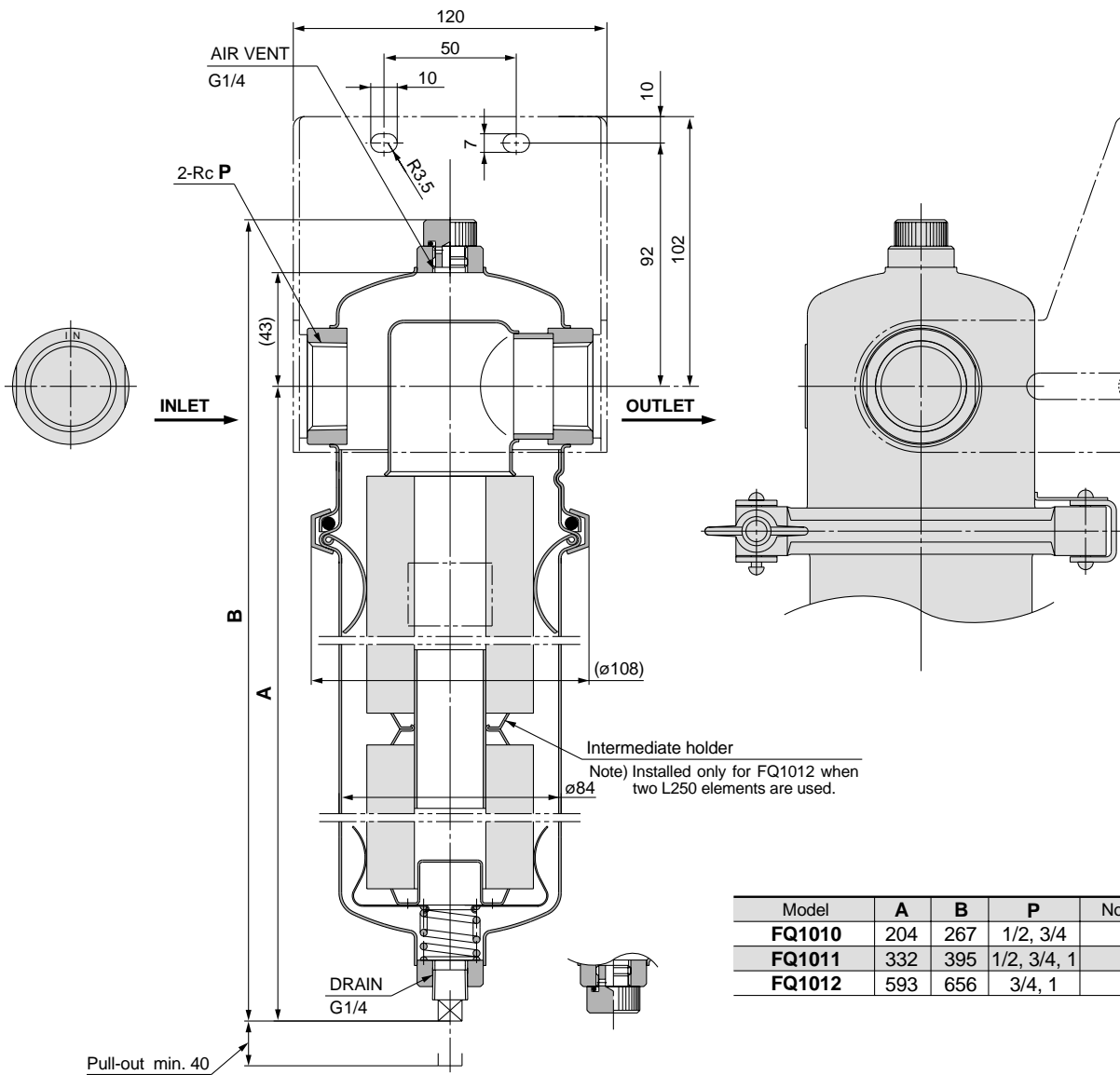
AM

FQ1

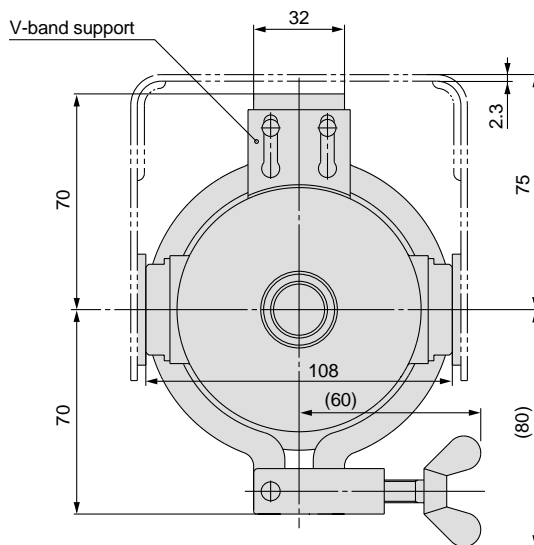
Related products

Series FQ1

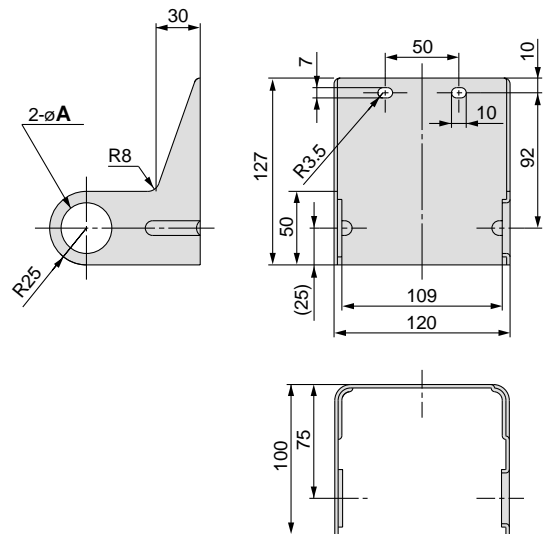
Dimensions



Model	A	B	P	No. of elements
FQ1010	204	267	1/2, 3/4	L125 x 1
FQ1011	332	395	1/2, 3/4, 1	L250 x 1
FQ1012	593	656	3/4, 1	L250 x 2



Bracket



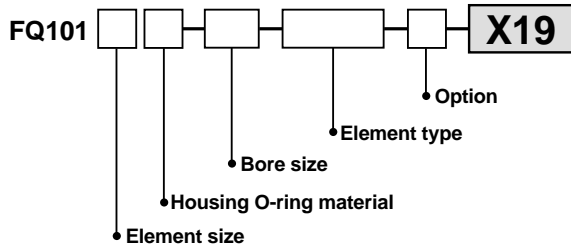
Part number	A	Applicable bore size
BP-13S	34.5	Rc 1
BP-14S	27.5	Rc 3/4
BP-15S	22	Rc 1/2

Series FQ1 Made to Order

Consult SMC for detailed dimensions, specifications and lead times.

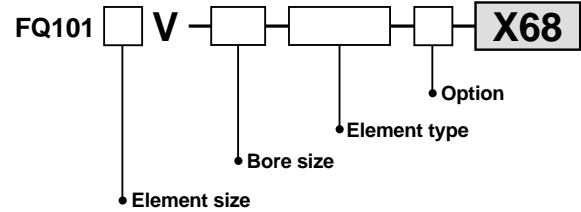
1 Without V-band Support -X19

Useful for reverse IN-OUT installation, as the position of the V-band can be changed.



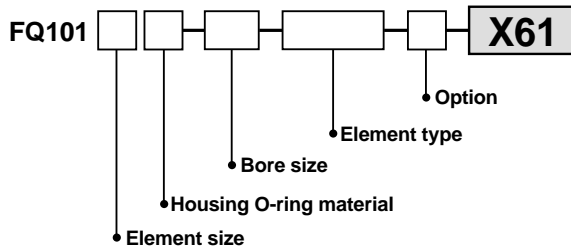
3 Chemical Resistant Type -X68

O-ring materials have been changed to special fluoro rubber and PTFE, improving chemical resistance.

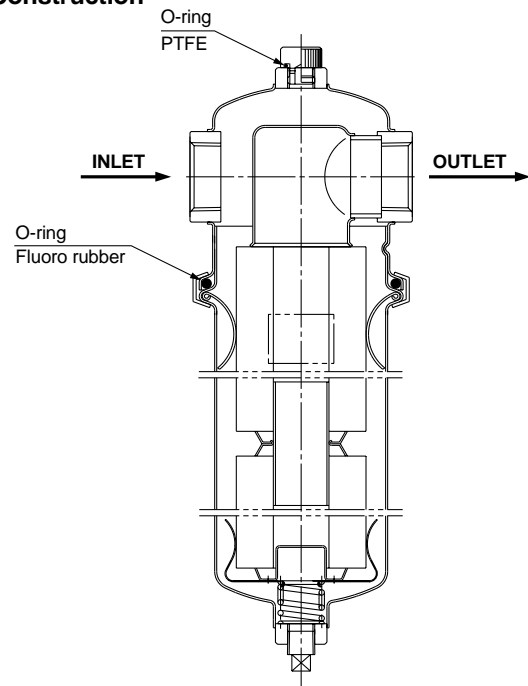


2 Conventional Bracket Type -X61

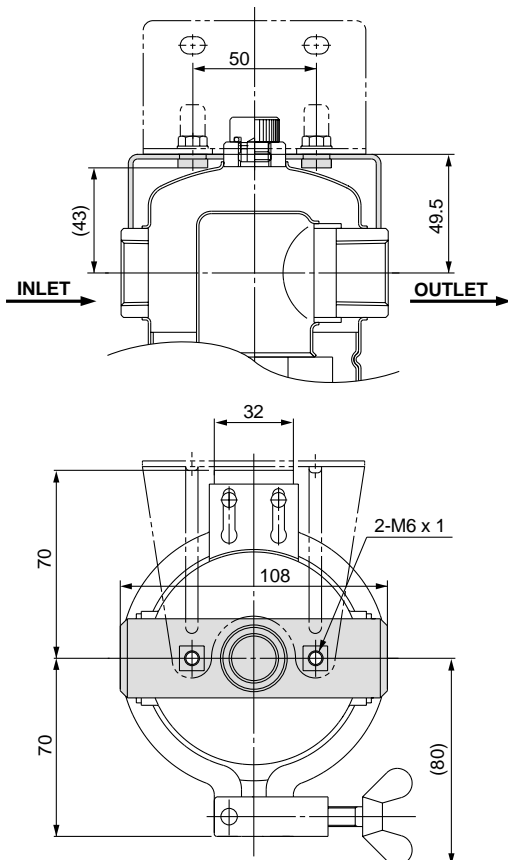
Conventional brackets can be installed.



Construction



Dimensions



Special fluoro rubber O-ring (AL-88XS) chemical resistance

Applicable solvents	
Hydrocarbon	Gasoline
	Fuel C
	Hexane
	Benzene
Toluene	
Hydrogen halide	Chloroform
Ketone	Acetone
	MEK
Ester	Ethyl acetate
Amide	Formaldehyde
	DMF
Alcohol	Methanol
	Ethylene glycol
Ether	1, 4-dioxane
	MTBE
	TAME
Amine	Pyridine
	Butyl amine
Gasohol	Fuel C: Methanol = 75/25
	Fuel C: Methanol = 50/50
	Fuel C: Methanol = 25/75

* Consult SMC for fluids other than those listed.

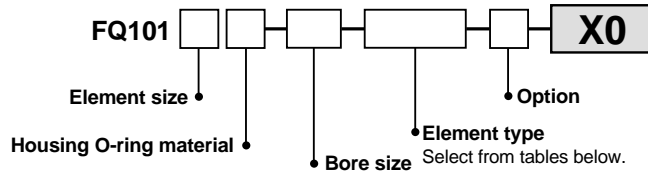
- HA
- ID
- AMG
- AFF
- AM
- FQ1**
- Related products

Series FQ1 Made to Order

Consult SMC for detailed dimensions, specifications and lead times.

4 Nonstandard Elements for Precision Cleaning

-X0



Membrane PP element "ED102S ... Series X0"^{zero}



- Material: PP
- Optimal for high precision filtration (99% or more) of various cleaning solvents (mainly alkali-base)
- Dimensions: $\varnothing 70 \times L250$

Recommended flow rate

Absolute filtration accuracy (μm)	Recommended flow rate (ℓ/min)*
0.2	5
0.4	

- * Pressure loss: 0.01 to 0.02MPa
- Operating temperature: 0 to 70°C
- Differential pressure resistance: 0.5MPa/25°C

Element and seal part numbers

Dimensions	Element symbol	Filtration accuracy (μm)	Element part number
$\varnothing 70 \times 250$	UX20□	0.2	ED102S-X20□X0
	UX40□	0.4	ED102S-X40□X0

Note) Specify seal material in place of "□" (N for NBR or V for FPM).
The suffix of the filter model part number is "X0".

Membrane CA element "ED111S ... Series X0"^{zero}



- Material: CA
- Optimal for high precision filtration (99% or more) of various kinds of water
- Dimensions: $\varnothing 70 \times L250$

Recommended flow rate

Absolute filtration accuracy (μm)	Recommended flow rate (ℓ/min)*
0.2	5
0.4	

- * Pressure loss: 0.01 to 0.02MPa
- Operating temperature: 0 to 80°C
- Differential pressure resistance: 0.5MPa/25°C

Element and seal part numbers

Dimensions	Element symbol	Filtration accuracy (μm)	Element part number
$\varnothing 70 \times 250$	DX20□	0.2	ED111S-X20□X0
	DX40□	0.4	ED111S-X40□X0

Note) Specify seal material in place of "□" (N for NBR or V for FPM).
The suffix of the filter model part number is "X0".

PP depth element "EJ202S, 302S, 402S ... Series X11"



- Material: Polypropylene and polyethylene
- No fibre separation due to thermal fusion of fibres
- A wide range of applications to various cleaning solvents
- Dimensions
EJ202S: $\varnothing 65 \times L125$
EJ302S: $\varnothing 65 \times L250$
EJ402S: $\varnothing 65 \times L500$

Recommended flow rate

Nominal filtration accuracy (μm)	Recommended flow rate (ℓ/min)*
1, 3, 5, 10 25, 50, 75	30

- * Pressure loss: 0.01 to 0.02MPa
- Operating temperature: 0 to 60°C
- Differential pressure resistance: 0.2MPa

Element and seal part numbers

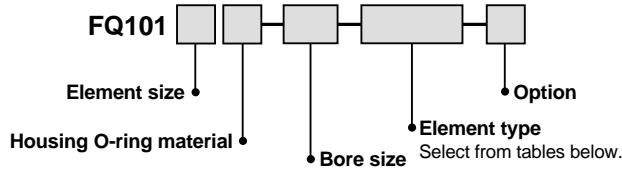
Dimensions	Element symbol	Filtration accuracy (μm)	Element part number
$\varnothing 65 \times 125$	W001	1	EJ202S-001X11
	W003	3	EJ202S-003X11
	W005	5	EJ202S-005X11
	W010	10	EJ202S-010X11
	W025	25	EJ202S-025X11
	W050	50	EJ202S-050X11
	W075	75	EJ202S-075X11
$\varnothing 65 \times 250$	W001	1	EJ302S-001X11
	W003	3	EJ302S-003X11
	W005	5	EJ302S-005X11
	W010	10	EJ302S-010X11
	W025	25	EJ302S-025X11
	W050	50	EJ302S-050X11
	W075	75	EJ302S-075X11
$\varnothing 65 \times 500$	W001	1	EJ402S-001X11
	W003	3	EJ402S-003X11
	W005	5	EJ402S-005X11
	W010	10	EJ402S-010X11
	W025	25	EJ402S-025X11
	W050	50	EJ402S-050X11
	W075	75	EJ402S-075X11

Note) Seals are not necessary. The suffix of the filter model part number is "X0".

Series FQ1 Made to Order

Consult SMC for detailed dimensions, specifications and lead times.

5 Nonstandard Elements for Precision Cleaning



HEPO II element "Series EJ101S"



- Material: PET
- Optimal for high precision filtration (99% or more) of a wide range of fluids
- Dimensions: $\varnothing 70 \times L250$ (EJ101S)

Recommended flow rate

Absolute filtration accuracy (μm)	Recommended flow rate (ℓ/min)*
2	20
4	
6	
13	

- * Pressure loss: 0.01 to 0.02MPa
- Operating temperature: 0 to 80°C
- Differential pressure resistance: 0.5MPa/25°C

Element and seal part numbers

Dimensions	Element symbol	Filtration accuracy (μm)	Element part number
$\varnothing 70 \times 250$	J002□	2	EJ101S-002□
	J004□	4	EJ101S-004□
	J006□	6	EJ101S-006□
	J013□	13	EJ101S-013□

Note) Specify seal material in place of "□" (N for NBR or V for FPM).
The suffix of the filter model part number is not necessary.

HEPO II element "Series EJ102S ... Series X0"



- All parts of this element are made of polypropylene, which is optimal for various cleaning solvents including alkali and organic solvents.
- Nearly fibre separation or release of chemicals, since fibres themselves are directly fused and no adhesives are used.
- Pressure loss is low and relatively long service life is provided due to a larger filtration area
- Dimensions: $\varnothing 70 \times L250$

Recommended flow rate

Absolute filtration accuracy (μm)	Recommended flow rate (ℓ/min)
2	20
4	
6	
13	

- Operating temperature: 0 to 80°C
- Differential pressure resistance: 0.5MPa

Element and seal part numbers

Dimensions	Element symbol	Filtration accuracy (μm)	Element part number
$\varnothing 70 \times 250$	R002□	2	EJ102S-002□X0
	R004□	4	EJ102S-004□X0
	R006□	6	EJ102S-006□X0
	R013□	13	EJ102S-013□X0

Note) Specify seal material in place of "□" (N for NBR or V for FPM).

HA□

ID□

AMG

AFF

AM□

FQ1

Related products

