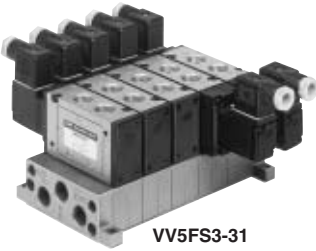


Series VFS3000 Manifold Specifications Stacking Type

Keeps environmental air clean from pilot exhaust

Use of the VV5FS3-31 manifold can exhaust intensively the pilot exhaust gas to the base side, and can prevent environmental aggravation due to noise and oil mist.

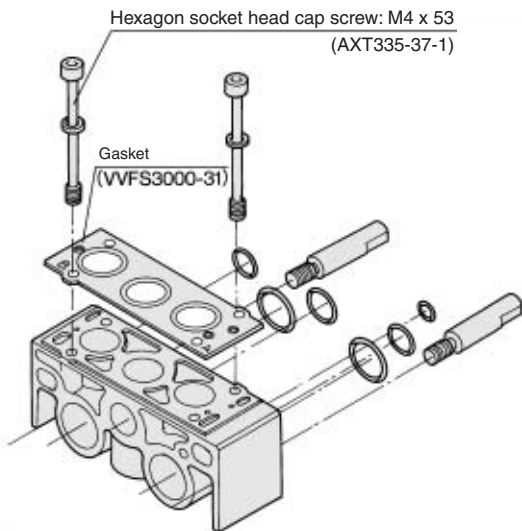


VV5FS3-31

Part no. for mounting bolt and gasket
BG-VFS3030

Exploded View of Manifold

Manifold block assembly VVFS3000-1A-30



• For increasing the manifold bases, please prepare the manifold block assembly no.

Specifications

Manifold base type	Stacking type
Stations	Max. 15 stations

Port Specifications

Symbol	Passage		Porting specifications: Rc		
			Base	Valve	Base
1	1(P) Common	3(R2), 5(R1) Common	1(P) Side: 3/8	2(B), 4(A) Top: 1/4, 3/8	3(R2), 5(R1) Side: 3/8

Option

Blanking plate	VVFS3000-10A-1	With gasket, screw
SUP block disk	AXT636-10A	—
EXH block disk	AXT636-11A	—



Note) Individual SUP or EXH is possible with bottom porting of SUP or EXH. For your order, please indicate it in the manifold specification sheet.

How to Order Manifold Base

VV5FS3 - 31 - 05 1 - 03 □

Series VFS3000
Manifold

Thread type

Nil	Rc
N*	NPT
T*	NPTF
F*	G

* Option

• P, EA, EB port size
03-Rc 3/8

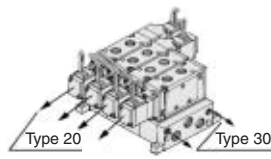
Symbol

Stations

02	2 stations
⋮	⋮
15	15 stations

Symbol	Passage		Porting specifications
	1(P)	3(R2), 5(R1)	2(B), 4(A)
1	Common Rc 3/8	Common Rc 3/8	Top Rc 1/4, Rc 3/8

Base model

Model	Pilot exhaust	Applicable valve model
31	Pilot common EXH	VFS3□20-□□-02 03
		VFS3□30-□□-02 03



Note) Also VFS3□20 is possible to manifold. In this case, it uses an individual pilot exhaust.

How to Order Manifold Assembly

Instruct by specifying the valves and blanking plate to be mounted on the manifold along with the manifold base model no.

<Example>

(Manifold base)	VV5FS3-31-061-03	1
(2 position single)	VFS3130-1D-02	3
(2 position double)	VFS3230-1D-02	2
(Blanking plate)	VVFS3000-10A-1	1

VK

VZ

VF

VFR

VP4

VZS

VFS

VS4

VQ7

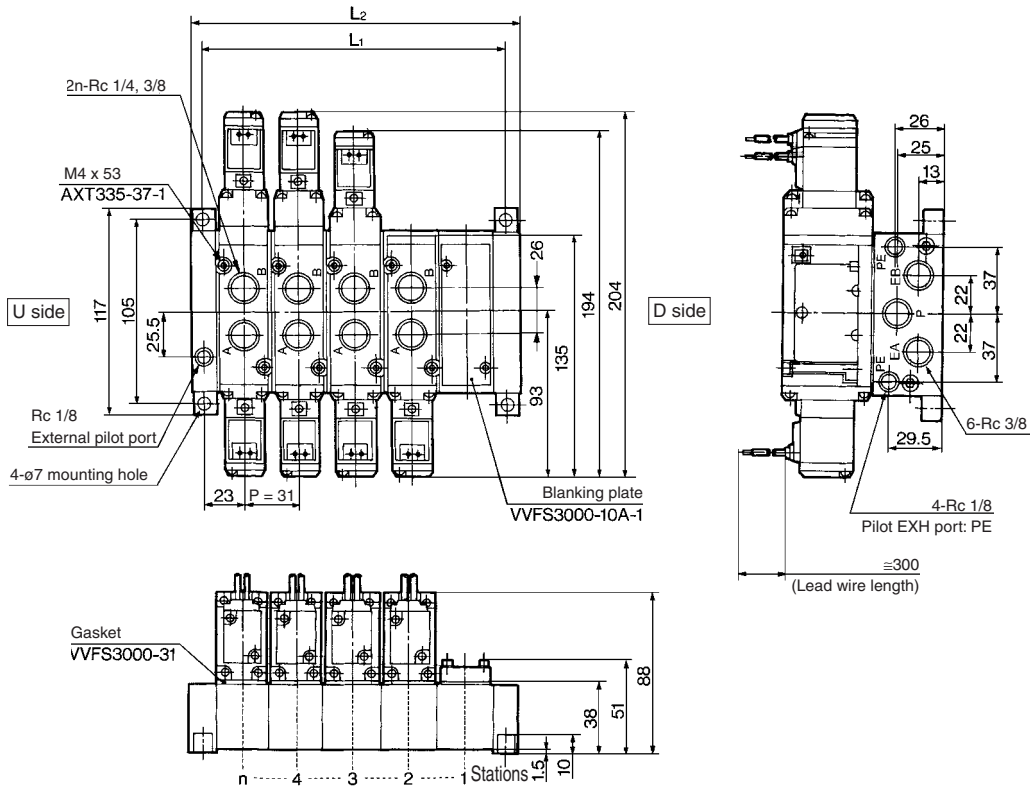
EVS

VFN

Series VFS3000

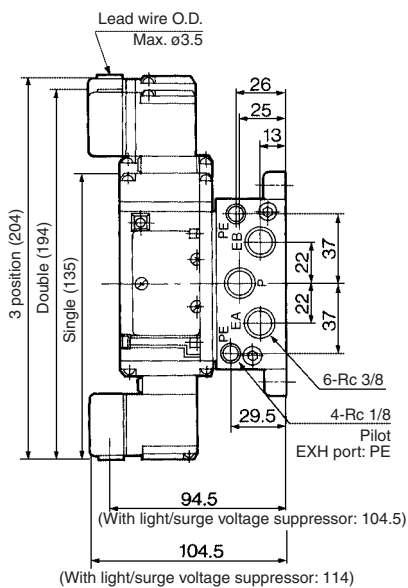
Type 31 Manifold Pilot common exhaust: VV5FS3-31- Station 1-03

Grommet: G

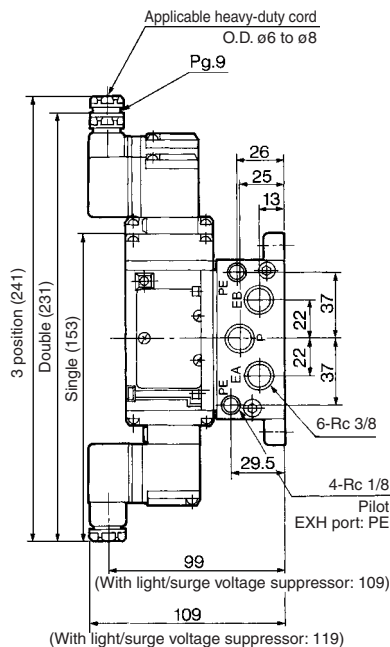


Formula for manifold weight $M = 0.184n + 0.16$ (kg) n: Station

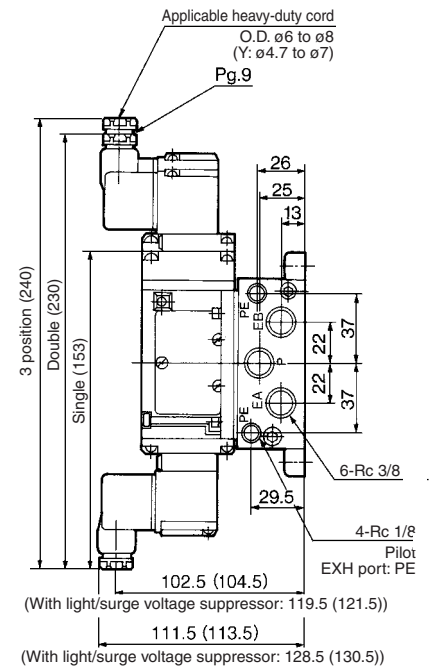
Grommet terminal: E/EZ



Conduit terminal: T/TZ



DIN terminal: D/DZ/Y/YZ



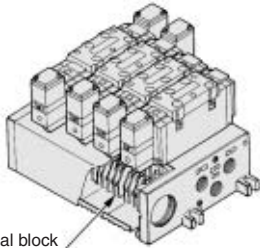
(): Y, YZ
n: Station

L	Stations	2	3	4	5	6	7	8	9	10	Formula
L_1		77	108	139	170	201	232	263	294	325	$L_1 = 31 \times n + 15$
L_2		92	123	154	185	216	247	278	309	340	$L_2 = 31 \times n + 30$

Series VFS3000 Manifold Specifications

Plug-in Type: With Terminal Block

- Since lead wires of solenoid valve are connected with the terminals on upper surface of terminal block, corresponding lead wires from power source can be wired at the bottom of terminal block.



Terminal block

VV5FS3 - 01T - 06 1 - 02

Series VFS3000
Manifold
Plug-in type
with terminal block

Stations

02	2 stations
⋮	⋮
10	10 stations

Port size

Symbol	P, EA, EB	A, B
02	Rc 1/2	Rc 1/4
03		Rc 3/8
M		Mixed

Thread type

Nil	Rc
N*	NPT
T*	NPTF
F*	G

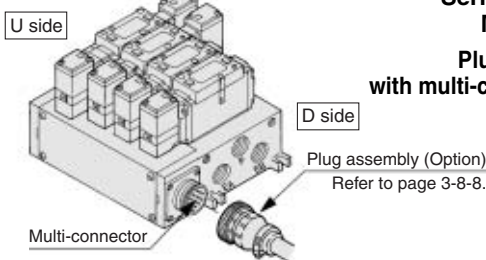
* Option

Symbol

Symbol	Passage		Porting specifications (A, B)
	P	EA, EB	
1	Common	Common	Side
2			Bottom* * Option

Plug-in Type: With Multi-connector (Wiring specifications: Refer to page 3-8-8.)

- Master connection of power and solenoid valves.
- Quick wiring permits easier installation.



U side

D side

Plug assembly (Option)
Refer to page 3-8-8.

Multi-connector

VV5FS3 - 01C D - 05 2 - 02

Series VFS3000
Manifold
Plug-in type
with multi-connector

Connector mounting direction

D	D side mounting
U	U side mounting

Stations

02	2 stations
⋮	⋮
08*	8 stations

* Max. 8 stations

Port size

Symbol	P, EA, EB	A, B
02	Rc 1/2	Rc 1/4
03		Rc 3/8
M		Mixed

Thread type

Nil	Rc
N*	NPT
T*	NPTF
F*	G

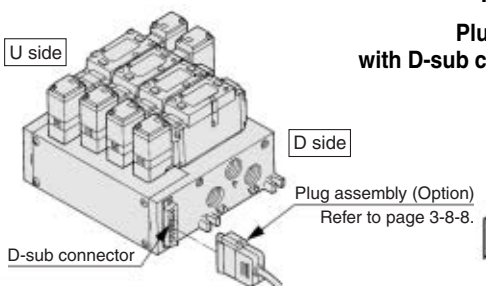
* Option

Symbol

Symbol	Passage		Porting specifications (A, B)
	P	EA, EB	
1	Common	Common	Side
2			Bottom* * Option

Plug-in Type: With D-sub Connector (Wiring specifications: Refer to page 3-8-8.)

- Wide range of interchangeability (MIL Spec DIN connector terminal 25 pcs attached.)
- Quick wiring permits easier installation.



U side

D side

Plug assembly (Option)
Refer to page 3-8-8.

D-sub connector

VV5FS3 - 01F D - 06 1 - 02

Series VFS3000
Manifold
Plug-in type
with D-sub connector

Connector mounting direction

D	D side mounting
U	U side mounting

Stations

02	2 stations
⋮	⋮
08*	8 stations

* Max. 8 stations

Port size

Symbol	P, EA, EB	A, B
02	Rc 1/2	Rc 1/4
03		Rc 3/8
M		Mixed

Thread type

Nil	Rc
N*	NPT
T*	NPTF
F*	G

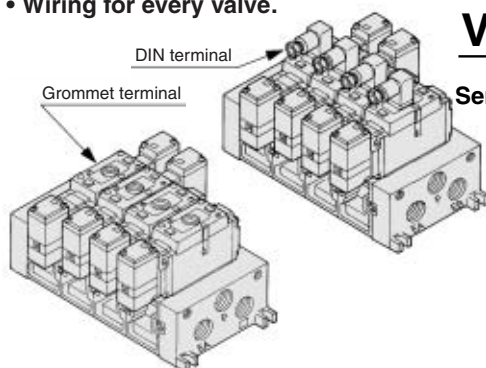
* Option

Symbol

Symbol	Passage		Porting specifications (A, B)
	P	EA, EB	
1	Common	Common	Side
2			Bottom* * Option

Non Plug-in Type: Grommet Terminal, DIN Terminal

- Wiring for every valve.



DIN terminal

Grommet terminal

VV5FS3 - 10 - 05 2 - 02

Series VFS3000
Manifold
Non plug-in type

Stations

02	2 stations
⋮	⋮
10	10 stations

Port size

Symbol	P, EA, EB	A, B
02	Rc 1/2	Rc 1/4
03		Rc 3/8
M		Mixed

Thread type

Nil	Rc
N*	NPT
T*	NPTF
F*	G

* Option

Symbol

Symbol	Passage		Porting specifications (A, B)
	P	EA, EB	
1	Common	Common	Side
2			Bottom* * Option

Series VFS3000

How to Order Manifold Assembly

Please indicate manifold base type, corresponding valve, and option parts.

<Example>

- Plug-in type with terminal block: 6 stations
(Manifold base) VV5FS3-01T-061-02 1
(2 position single) VFS3100-5FZ 3
(2 position double) VFS3200-5FZ 2
(Blanking plate) VVFS3000-10A 1

<Example>

- Non plug-in type: 6 stations
(Manifold base) VV5FS3-10-061-03 1
(2 position single) VFS3110-5D 5
(3 position exhaust center) VFS3410-5D 1
(Individual EXH spacer) VVFS3000-R-03-2 ... 1

Manifold Specifications

Base model	Wiring	Porting specifications	Port size Rc		Stations	Applicable valve model
		A, B port	P, EA, EB	A, B		
Plug-in type VV5FS3-01□	<ul style="list-style-type: none"> • With terminal block • With multi-connector • With D-sub connector 	Side/ Bottom	1/2 ⁽¹⁾	1/4, 3/8	2 to 10 ⁽²⁾	VFS3□00-□F
Non plug-in type VV5FS3-10	<ul style="list-style-type: none"> • DIN terminal • Grommet terminal 					VFS3□10-□D VFS3□10-□E



Note 1) Appropriate silencer for EA, EB port: "AN403-04" (O.D. ø27).
Note 2) With multi-connector, or with D-sub connector: 8 stations max.

Flow Characteristics at the Number of Manifold Stations (Operated individually)

Model	Passage/Stations	Station 1	Station 5	Station 10	
VV5FS3	1 → 4/2 (P → A/B)	C [dm ³ /(s-bar)]	6.0	6.0	6.0
		b	0.20	0.20	0.20
		Cv	1.4	1.4	1.4
	4/2 → 5/3 (A/B → R1/R2)	C [dm ³ /(s-bar)]	7.0	7.0	7.0
		b	0.20	0.20	0.20
		Cv	1.8	1.8	1.8

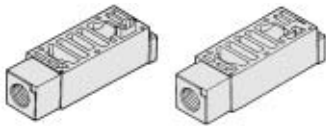
* Port size: Rc 3/8

Manifold Option Parts Assembly

Individual SUP spacer

An individual SUP spacer set on manifold block can form SUP port for every valve.

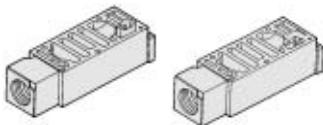
Body type	Plug-in type	Non plug-in type
Part no.	VVFS3000-P-03-1	VVFS3000-P-03-2



Individual EXH spacer

An individual EXH spacer set on manifold block can form EXH port for every valve. (common EXH type)

Body type	Plug-in type	Non plug-in type
Part no.	VVFS3000-R-03-1	VVFS3000-R-03-2



* SUP block disk

When supplying manifold with more than two different pressures, high and low, insert a block disk in between stations subjected to different pressures.

Body type	Plug-in type	Non plug-in type
Part no.	AXT636-1A	

* EXH block disk

When valve exhaust affects the other stations on the circuit or when the reverse pressure valve is used to standard manifold valve, insert EXH block disk between stations to separate valve exhaust.

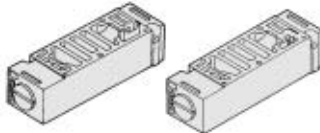
Body type	Plug-in type	Non plug-in type
Part no.	AXT636-1A	



Throttle valve spacer

Needle valve set on the manifold block can control cylinder speed by throttling exhaust.

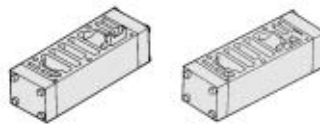
Body type	Plug-in type	Non plug-in type
Part no.	VVFS3000-20A-1	VVFS3000-20A-2



Double check spacer

If the double check spacer with a built-in double check valve is combined, it will enable the cylinder to stop in the intermediate stroke and maintain its position for a long time without being affected by the leakage between the spools.

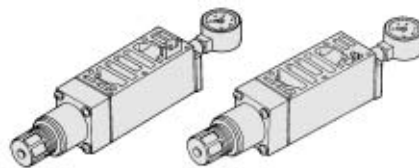
Body type	Plug-in type	Non plug-in type
Part no.	VVFS3000-22A-1	VVFS3000-22A-2



Interface regulator

Interface regulator set on manifold block can regulate the pressure to each valve. (Refer to page 3-8-6 for "Flow Characteristics".)

Body type	Plug-in type	Non plug-in type
P port regulation	ARBF3050-00-P-1	ARBF3050-00-P-2
A port regulation	ARBF3050-00-A-1	ARBF3050-00-A-2
B port regulation	ARBF3050-00-B-1	ARBF3050-00-B-2



Blanking plate

It is used by attaching on the manifold block for being prepared for removing a valve for maintenance reasons or planning to mount a spare valve, etc.

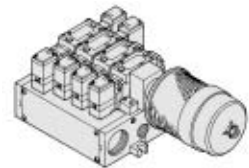
Body type	Plug-in type	Non plug-in type
Part no.	VVFS3000-10A	

Manifold Option

With exhaust cleaner

Plug-in type/Non Plug-in type

- Valve exhaust noise dampening: 35 dB or more.
- Oil mist collection: Rate of collection 99.9% or more.
- Piping process reduced.

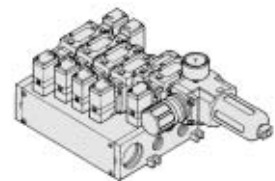


For details, refer to page 3-8-63.

With control unit

Plug-in type/Non Plug-in type

- Filter, regulation valve, pressure switch and air release valve are all combined to form one unit.
- Piping processes are eliminated.

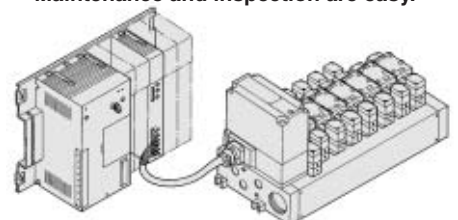


For details, refer to page 3-8-65.

With serial interface unit for serial transmission

Plug-in type

- Solenoid valve wiring process reduced considerably.
- Disperse installation possible. Manifold solenoid valve: 8 stations max. 32 positions (512 solenoids).
- Maintenance and inspection are easy.

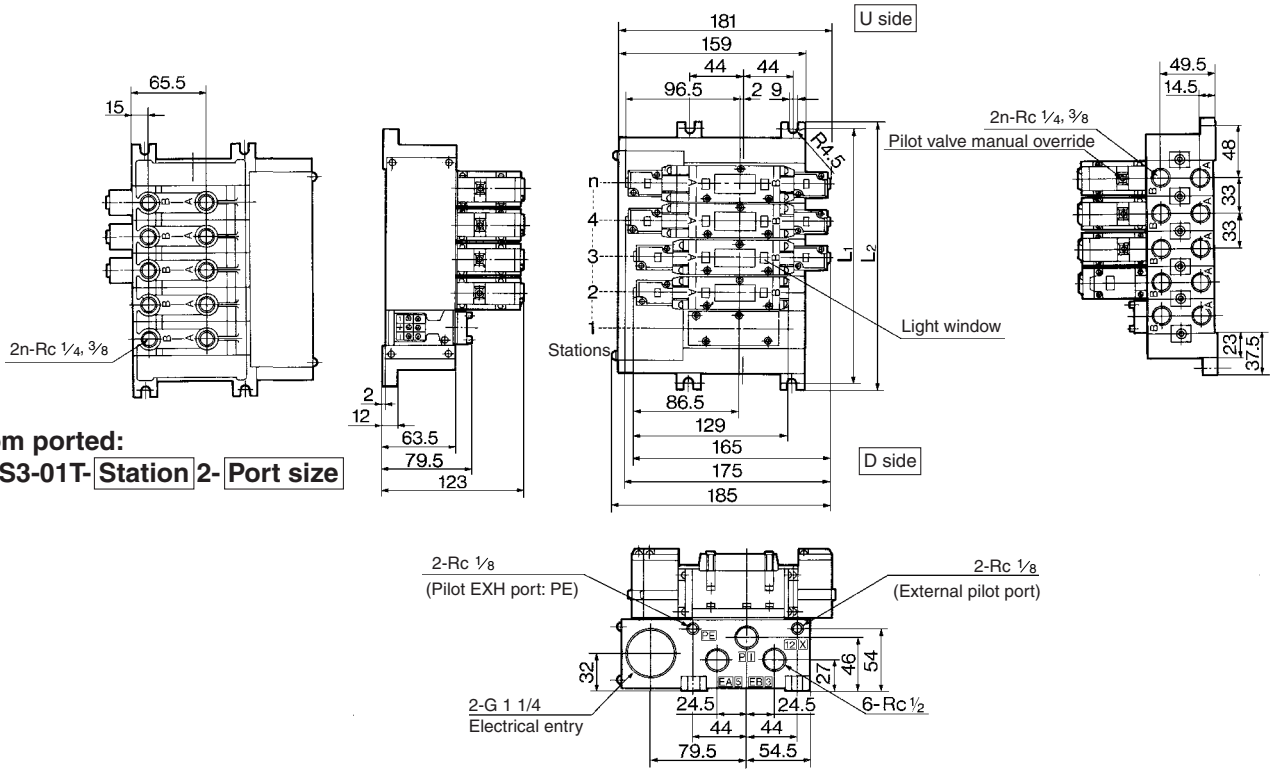


For details, refer to "Serial Transmission" catalog separately.

5 Port Pilot Operated Solenoid Valve Metal Seal, Plug-in/Non Plug-in Series VFS3000

Manifold Plug-in type, Non plug-in type

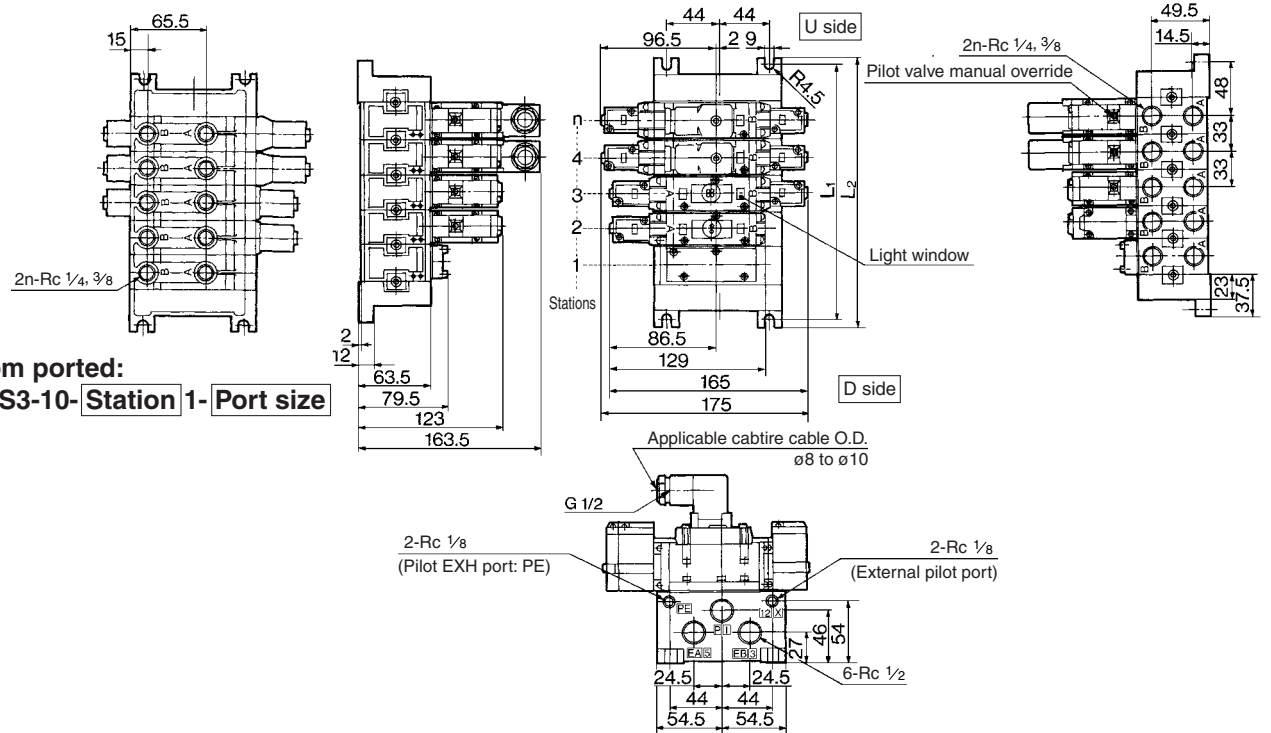
Plug-in type (With terminal block): VV5FS3-01T- Station 1- Port size



Bottom ported:
VV5FS3-01T- Station 2- Port size

Formula for manifold weight $M = 0.405n + 0.665$ (kg) n: Station

Non plug-in type: VV5FS3-10- Station 1- Port size



Bottom ported:
VV5FS3-10- Station 1- Port size

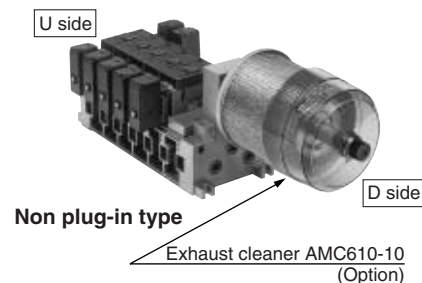
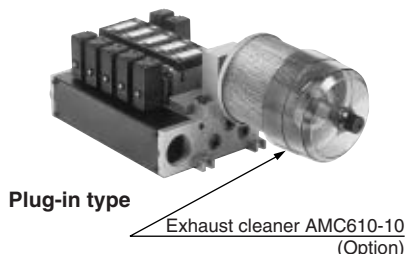
Formula for manifold weight $M = 0.309n + 0.532$ (kg) n: Stations

Stations	2	3	4	5	6	7	8	9	10	Formula
L ₁	129	162	195	228	261	294	327	360	393	L ₁ = 33 x n + 63
L ₂	141	174	207	240	273	306	339	372	405	L ₂ = 33 x n + 75

- VK
- VZ
- VF
- VFR
- VP4
- VZS
- VFS**
- VS4
- VQ7
- EVS
- VFN

Manifold with Exhaust Cleaner

- Serves to protect working environment.
- Valve exhaust noise dampening: 35 dB or more.
- Collection rate of drainage and oil mist: 99.9% or more.
- Piping work is reduced.



Manifold Specifications

Manifold	Plug-in type: VV5FS3-01□	Non plug-in type: VV5FS3-10
Wiring	With terminal blocks With multi-connector With D-sub connector	DIN terminal Grommet terminal
Applicable valve model	VFS3□00-□F	VFS3□10-□D, VFS3□10-□E
Porting specifications	Common SUP, Common EXH	
	2(B), 4(A) port 1(P), 3(R2), 5(R1) port	Rc 1/4, 3/8 P: Rc 1/2, EXH: Rc 1
Stations	2 to 10 ⁽¹⁾	
Applicable exhaust cleaners	AMC610-10 (Connecting port size R 1) ⁽²⁾	

Note 1) With multi-connector, or with D-sub connector: 8 stations max.
Note 2) Exhaust cleaner "AMC610-10" is not attached.

How to Order

VV5FS3-10-06-1-03-CD

Series VFS3000
Manifold

Base type/Electrical entry

01T	Plug-in type with terminal block
01C	Plug-in type with multi-connector
01F	Plug-in type with D-sub connector
10	Non plug-in type

Connector mounting direction

Symbol	With connector	Applicable base
Nil	None	01T, 10
D	D side mounting	01C, 01F
U	U side mounting	

Stations

02	2 stations
⋮	⋮
10	10 stations

Base type 01T, 10: 2-10 stations
Base type 01C, 01F: 2-8 stations

Exhaust cleaner mounting direction

Symbol	Exhaust cleaner mounting direction	
CD	D side	D side mounting
CU	U side	U side mounting

Thread type

Nil	Rc
N*	NPT
T*	NPTF
F*	G

* Option

Port size

Symbol	P	A, B
02	Rc 1/2	Rc 1/4
03		Rc 3/8
M		Mixed

Symbol

Symbol	Passage		Porting specifications (A, B)
	P	R1, R2	
1	Common	Common	Side
2			Bottom*

* Option

Caution

When using an exhaust cleaner, mount it downwards.



* For details about exhaust cleaners, refer to Best Pneumatic Vol. 5.

Please indicate manifold base type, corresponding valve, and option parts.

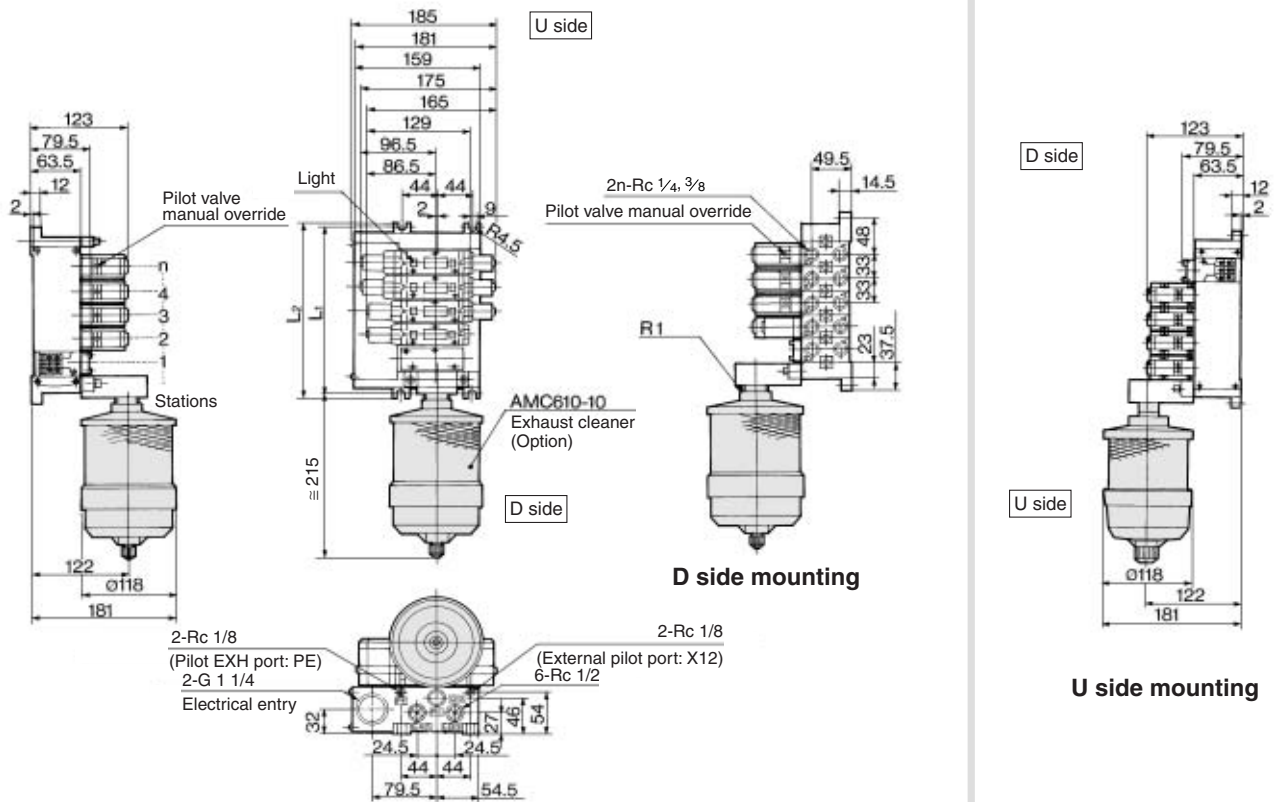
<Example>

- Plug-in type with terminal block (6 stations)
 - (Manifold base) VV5FS3-01T-061-03-CD 1
 - (2 position single) VFS3100-5FZ 3
 - (2 position double) VFS3200-5FZ 2
 - (Blanking plate) VVFS3000-10A 1
 - (Exhaust cleaner) AMC610-10 1
- Non plug-in type (6 stations)
 - (Manifold base) VV5FS3-10-061-03-CU 1
 - (2 position single) VFS3110-5E 3
 - (2 position double) VFS3210-5E 2
 - (Blanking plate) VVFS3000-10A 1
 - (Exhaust cleaner) AMC610-10 Option

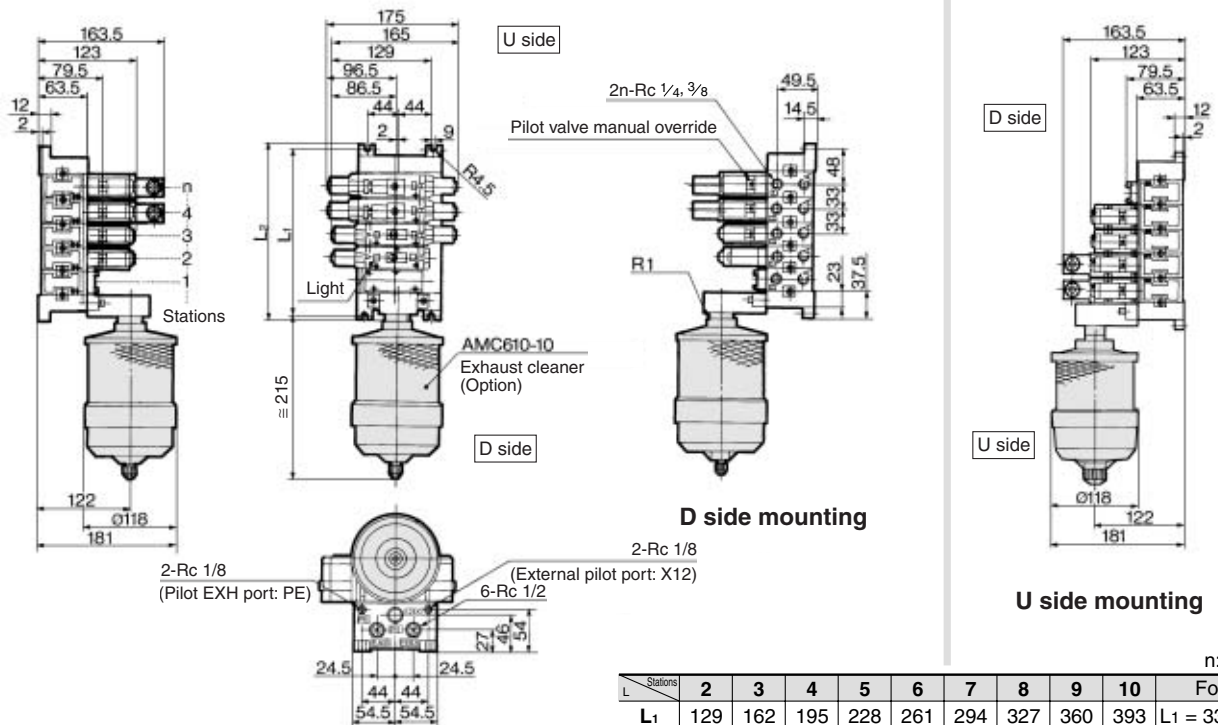
Series VFS3000

Manifold with Exhaust Cleaner Plug-in type, Non plug-in type

Plug-in type: VV5FS3-01T-Station 1-Port size -CD
CU



Non plug-in type: VV5FS3-10-Station 1-Port size -CD
CU



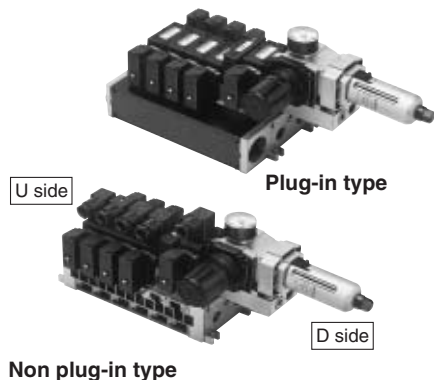
n: Stations

Stations	2	3	4	5	6	7	8	9	10	Formula
L ₁	129	162	195	228	261	294	327	360	393	L ₁ = 33 x n + 63
L ₂	141	174	207	240	273	306	339	372	405	L ₂ = 33 x n + 75

5 Port Pilot Operated Solenoid Valve Metal Seal, Plug-in/Non Plug-in Series VFS3000

Manifold with Control Unit

- Control unit (Filter, Regulator, Pressure switch, Air release valve) are all standardized to the one unit, and can be mounted on the manifold base without any attachments.
- Piping processes are eliminated.



Manifold Specifications

Manifold	Plug-in type: VV5FS3-01□	Non plug-in type: VV5FS3-10
Wiring	With terminal block With multi-connector With D-sub connector	DIN terminal Grommet terminal
Applicable valve model	VFS3□00-□F	VFS3□10-□D, VFS3□10-□E
Porting specifications Rc	Common SUP, Common EXH	
	2(B), 4(A) port 1(P), 3(R2), 5(R1) port	Rc 1/4, 3/8 Rc 1/2
Stations	2 to 10 *	

* With multi-connector, or with D-sub connector: 8 stations max.

Control Unit Specifications

Air filter (With auto-drain/With manual drain)	
Filtration degree	5 μm
Regulator	
Set pressure (Outlet pressure)	0.05 to 0.85 MPa
Pressure switch ⁽¹⁾	
Set pressure range: OFF	0.1 to 0.6 MPa
Differential	0.08 MPa or less
Contact	1a
Indicator light	LED (RED)
Max. switch capacity	2 VA AC, 2 W DC
Max. operating current	24 VAC/DC or less: 50 mA 100 VAC/DC: 20 mA
Air release valve (Single only)	
Operating pressure range	0.1 to 1.0 MPa

Control Unit/Option

Air release valve spacer ⁽²⁾	<Plug-in type> VVFS3000-24A-1R (D side mounting)	
	<Non plug-in type> VVFS3000-24A-2R (D side mounting)	
Pressure switch ⁽³⁾	IS1000P-2-1	
Blanking plate	Filter regulator	MP2-3
	Pressure switch	MP3-2
	Release valve	VVFS3000-24A-10
Filter element	INA-13-854-12-5B	

- Note 1) Voltage: 24 VDC to 100 VAC
Inner voltage drop: 4 V
- Note 2) Combination of valve VVFS31□□ (single) and a release valve spacer can be used as an air release valve.
- Note 3) The non plug-in type cannot be mounted afterwards.

⚠ Caution

When using an air filter with auto-drain or manual drain, mount the filter vertically.

How to Order

VV5FS3-10-08-1-02-AP

Series VFS3000 Manifold

Base type/Electrical entry

01T	Plug-in type with terminal block
01C	Plug-in type with multi-connector
01F	Plug-in type with D-sub connector
10	Non plug-in type

Connector mounting direction

Symbol	With connector	Applicable base
Nil	None	01T, 10
D	D side mounting	01C, 01F
U	U side mounting	

Stations

02	2 stations
⋮	⋮
10	10 stations

Base type 01T, 10: 2 to 10 stations
Base type 01C, 01F: 2 to 8 stations

Symbol

Symbol	Passage		Porting specifications (A, B)
	P	EA, EB	
1	Common	Common	Side
2	Common	Common	Bottom*

* Option

Port size

Symbol	P, EA, EB	A, B
02	Rc 1/2	Rc 1/4
03		Rc 3/8
M		Mixed

Thread type

Nil	Rc
N*	NPT
T*	NPTF
F*	G

* Option

Air release valve coil rating

Nil	None (F, G type only)
1	100 VAC, 50/60 Hz
5	24 VDC
9	Other

Control unit type

Symbol	Nil	A	AP	M	MP	F	G	C	E
Control equipment									
Air filter with auto-drain		●	●			●			
Air filter with manual drain				●	●		●		
Regulator		●	●	●	●	●	●		
Air release valve		●	●	●	●			●	●
Pressure switch			●		●				
Blanking plate (Air release valve)						●	●		
Blanking plate (Filter, Regulator)							●	●	
Blanking plate (Pressure switch)		●		●		●	●	●	
Number of manifold blocks required for mounting (stations)	2	2	2	2	2	2	2	2	1

Please indicate manifold base type, corresponding valve, and option parts.

<Example>

- Plug-in type with terminal block — In order to mount control unit, it requires 2 stations.
 - (Manifold base) VV5FS3-01T-081-03-AP5 1
 - (2 position single) VFS3100-5FZ 4
 - (2 position double) VFS3200-5FZ 2
- Non plug-in type — In order to mount control unit, it requires 2 stations.
 - (Manifold base) VV5FS3-10-061-03-A 1
 - (2 position single) VFS3110-5D 4

VK

VZ

VF

VFR

VP4

VZS

VFS

VS4

VQ7

EVS

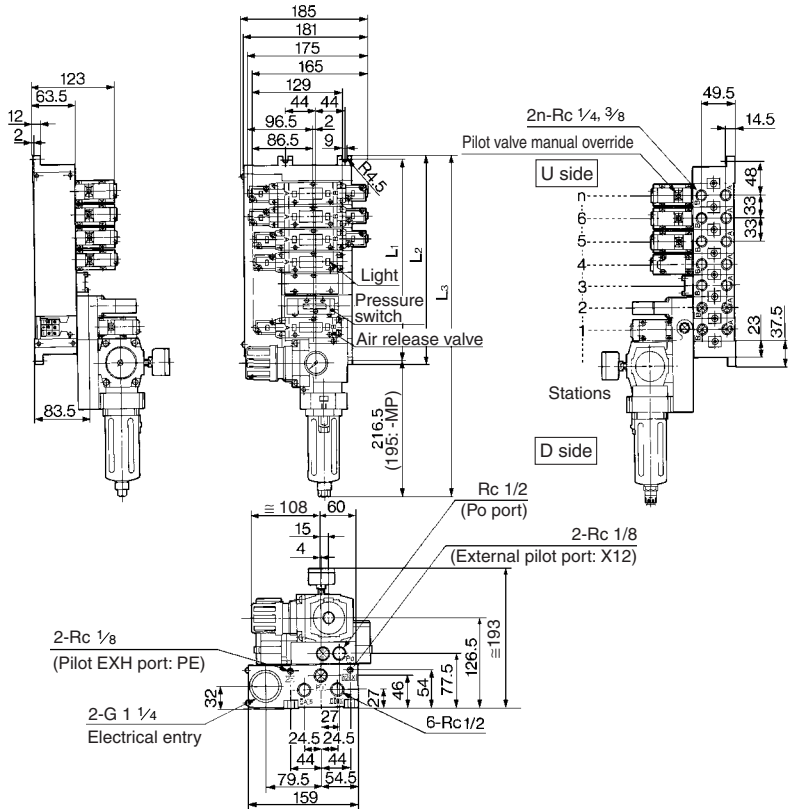
VFN

Series VFS3000

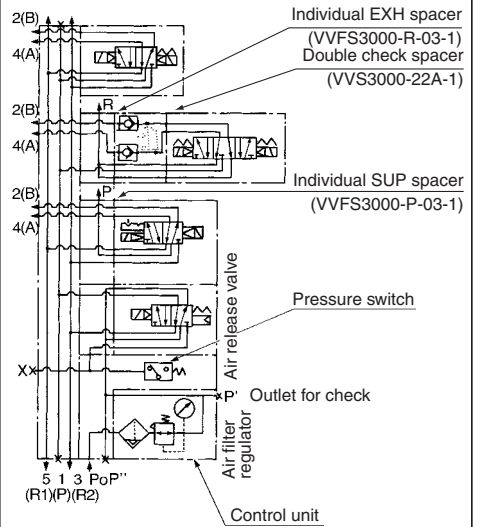
Manifold with Control Plug-in type, Non plug-in type

Plug-in type:

VV5FS3-01T-Station 1- Port size -AP Voltage for release valve

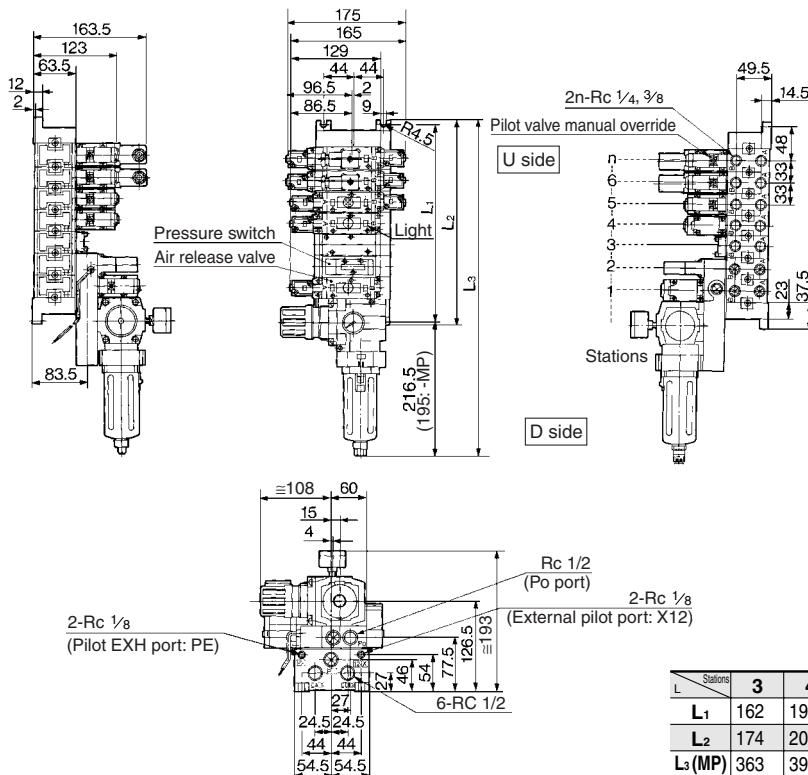


Example for manifold

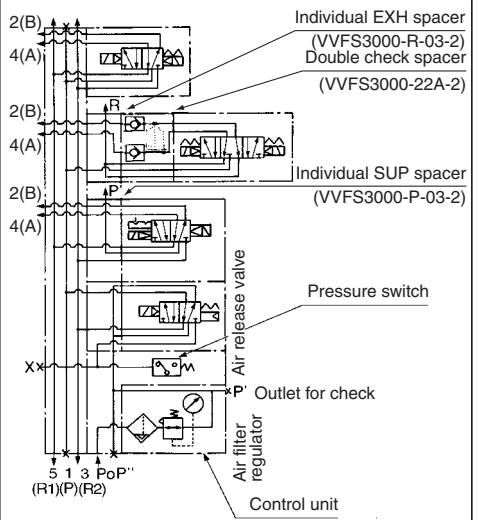


Non plug-in type:

VV5FS3-10-Station 1- Port size -AP Voltage for release valve



Example for manifold

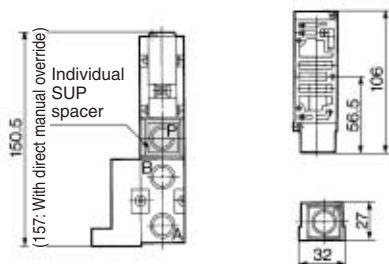


Stations	3	4	5	6	7	8	9	10	Formula
L ₁	162	195	228	261	294	327	360	393	L ₁ = 33 x n + 63
L ₂	174	207	240	273	306	339	372	405	L ₂ = 33 x n + 75
L ₃ (MP)	363	396	429	462	495	528	561	594	L ₃ = 33 x n + 264
L ₃ (AP)	384.5	417.5	450.5	483.5	516.5	549.5	582.5	615.5	L ₃ = 33 x n + 285.5

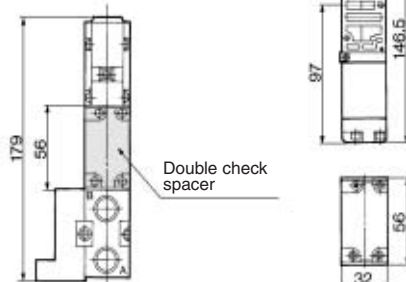
5 Port Pilot Operated Solenoid Valve Metal Seal, Plug-in/Non Plug-in Series VFS3000

Manifold Option Parts Plug-in type, Non plug-in type

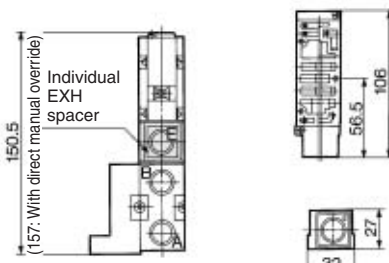
Individual SUP spacer:
VVFS3000-P-03-1 (Plug-in type)
VVFS3000-P-03-2 (Non plug-in type)



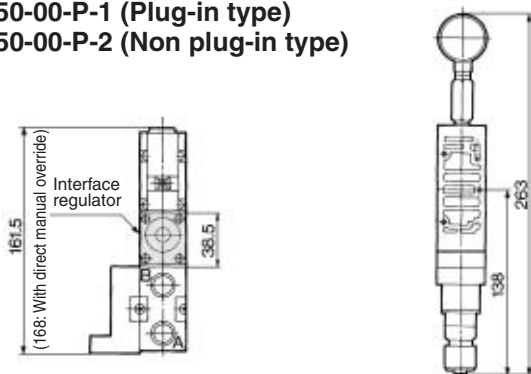
Double check spacer:
VVFS3000-22A-1 (Plug-in type)
VVFS3000-22A-2 (Non plug-in type)



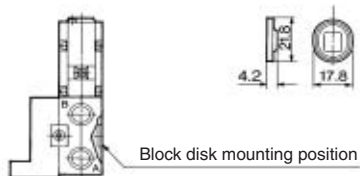
Individual EXH spacer:
VVFS3000-R-03-1 (Plug-in type)
VVFS3000-R-03-2 (Non plug-in type)



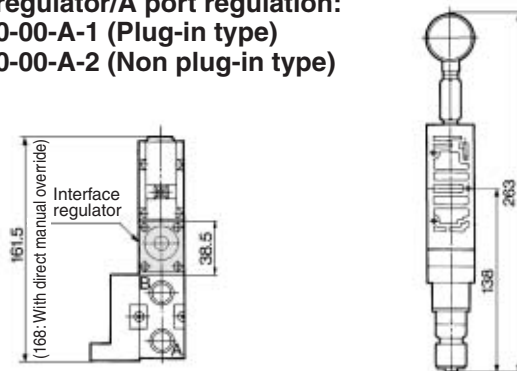
Interface regulator/P port regulation:
ARBF3050-00-P-1 (Plug-in type)
ARBF3050-00-P-2 (Non plug-in type)



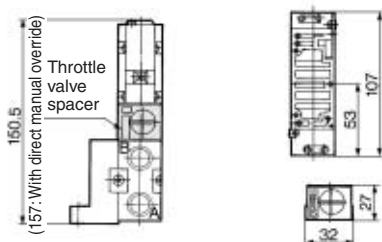
SUP/EXH block disk: AXT636-1A



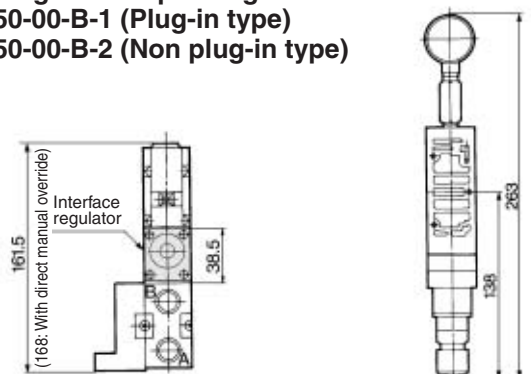
Interface regulator/A port regulation:
ARBF3050-00-A-1 (Plug-in type)
ARBF3050-00-A-2 (Non plug-in type)



Throttle valve spacer:
VVFS3000-20A-1 (Plug-in type)
VVFS3000-20A-2 (Non plug-in type)



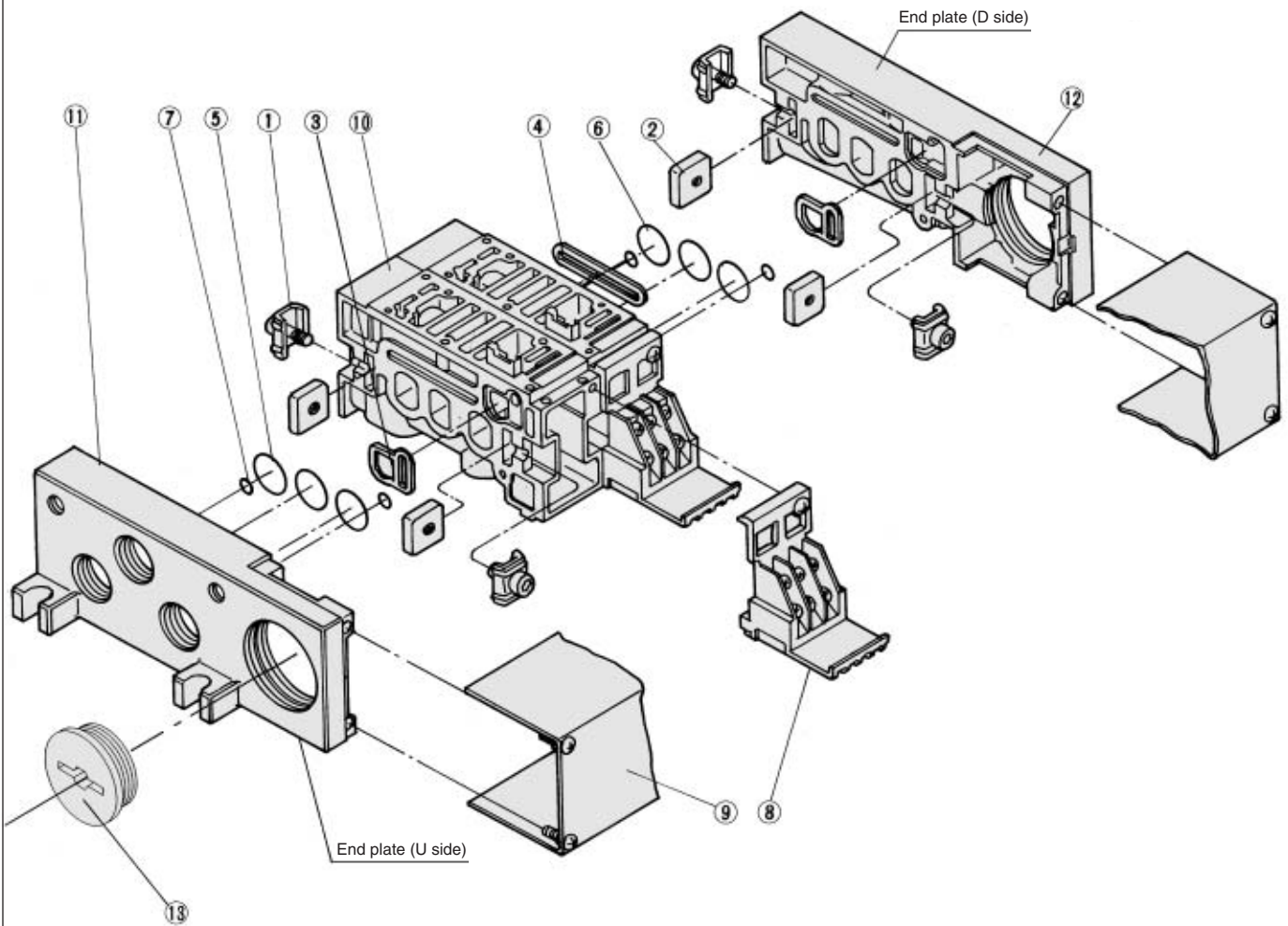
Interface regulator/B port regulation:
ARBF3050-00-B-1 (Plug-in type)
ARBF3050-00-B-2 (Non plug-in type)



- VK
- VZ
- VF
- VFR
- VP4
- VZS
- VFS
- VS4
- VQ7
- EVS
- VFN

Series VFS3000

Manifold Base Construction Plug-in type, Non plug-in type



Replacement Parts

No.	Description	Material	Part no.
①	Connection fitting A	Steel plate	VVFS3000-5-1A
②	Connection fitting B	Steel plate	VVFS3000-5-2
③	Gasket	NBR	VVFS3000-7-1
④	Gasket	NBR	VVFS3000-8
⑤	O-ring	NBR	19.8 x 16.6 x 1.6 (End plate)
⑥	O-ring	NBR	20 x 16 x 2 (Manifold block)
⑦	O-ring	NBR	6.2 x 3 x 1.6
⑧	Terminal assembly		VVFS3000-6A
⑨	Junction cover assembly	For 01T	VVFS3000-4A- <small>[Stations]</small>
		For 01SU	AZ738-22A- <small>[Stations]</small>
⑬	Rubber plug	NBR	AXT336-9

- For increasing the manifold bases, please order the manifold block assembly number of the principal part assembly ⑩.
For plug-in type: The manifold base with terminal stand (integrated with a junction cover) is required with the ⑨ junction cover assembly.

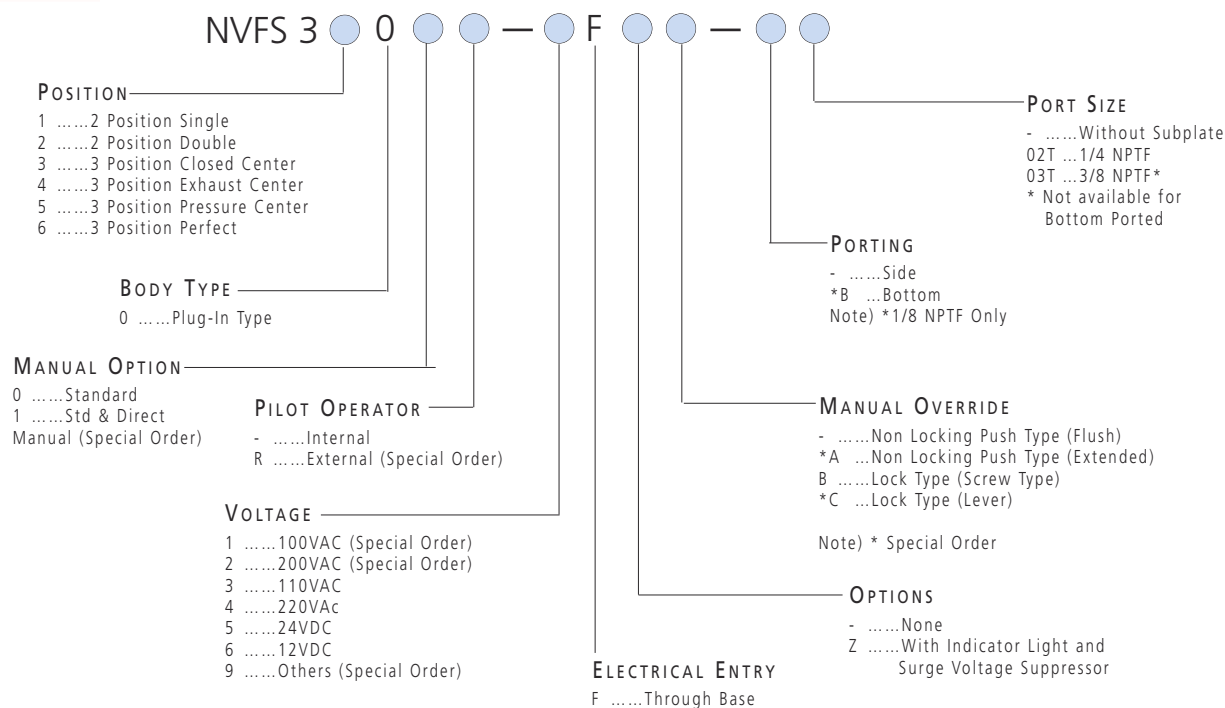
Replacement Parts: Sub Assembly



Note) Manifold Base/Construction: Plug-in with terminal block.

No.	Description	Assembly part no.	Component parts	Applicable manifold base
⑩	Manifold block assembly	VVFS3000-1A-1- <small>02</small> / <small>03</small>	Manifold block ⑩, Terminal ⑧, Metal joint ①, ②, Gasket ③, ④, O-ring ⑥, ⑦, Receptacle assembly	Plug-in type
		VVFS3000-1A-2- <small>02</small> / <small>03</small>	Manifold block ⑩, Metal joint ①, ②, Gasket ③, ④, O-ring ⑥, ⑦	Non plug-in type
⑪	End plate (U side) assembly	VVFS3000-2A-1	End plate (U) ⑪, Metal joint ①, ②, O-ring ⑤, ⑥	Plug-in type
		VVFS3000-2A-2	End plate (U) ⑪, Metal joint ①, ②, O-ring ⑤, ⑥	Non plug-in type
⑫	End plate (D side) assembly	VVFS3000-3A-1	End plate (D) ⑫, Metal joint ①, ②, Gasket ③	Plug-in type
		VVFS3000-3A-2	End plate (D) ⑫, Metal joint ①, ②, Gasket ③	Non plug-in type

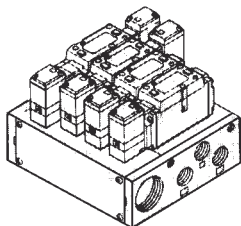
HOW TO
ORDER
NVFS3000



HOW TO
ORDER
MANIFOLD

Plug-in Type: With Terminal Blocks

● Lead wires of solenoid valve are connected with the terminals on upper surface of terminal block, corresponding lead wires from power source can be wired at the bottom of terminal block.



NV5FS3-01T-061-02T

Series NVFS3000
Manifold valve

Plug-in type
With terminal block

Stations

02	2 stations
⋮	⋮
10	10 stations

● Port size

Symbol	A, B
02T	1/4NPTF
03T	3/8NPTF

* Bottom ported 1/4NPTF only.

● Porting Symbol

Symbol	Port specifications		Porting Specifications (A,B)
	P	EA, EB	
1	Common	Common	Side
*2			Bottom (Option)
	Mixed		

* Special Order.



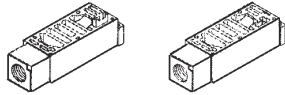
FOR FURTHER TECHNICAL
DETAILS ON THIS
PRODUCT, REQUEST
CATALOG REFERENCE
N233

Manifold/Option Parts

SUP Relocation spacer

An individual SUP spacer on manifold block can form individual P port for the valve.

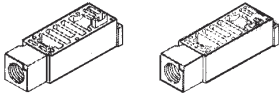
Body type	Plug-in type
Part No.	NVFS3000-P-03T-1



EXH Relocation spacer

An individual EXH spacer on the manifold block can form individual R port for the valve.

Body type	Plug-in type
Part No.	NVFS3000-R-03T-1



SUP gallery block disc

When supplying manifold with more than one pressure, insert block disc in between stations subjected to different pressures.

Body type	Plug-in type
Part No.	AXT636-1A

EXH gallery block disc

When valve exhaust affects the other stations on the circuit or when externally piloted, dual pressure valve is used on a standard manifold, insert EXH block disc(s) in between stations to separate valve exhaust.

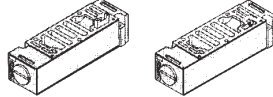
Body type	Plug-in type
Part No.	AXT636-1A



Interface Speed Control

Needle valve on the manifold block can control cylinder speed by throttling exhaust.

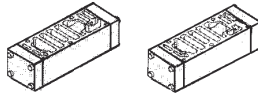
Body type	Plug-in type
Part No.	NVFS3000-20A-1



Double Check "Perfect" spacer

The concurrent use of perfect spacer with built-in double check valve can stop the cylinder at mid-position and hold for extended time without being affected by normal air leakage across spool seals.

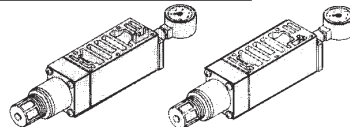
Body type	Plug-in type
Part No.	NVFS3000-22A-1



Interface regulator

Spacer type regulating valve on manifold block can regulate the pressure to the valve.

Body type	Plug-in type
Pressure regulation P	NARBF3000-NO-P-1
Pressure regulation A	NARBF3000-NO-A-1
Pressure regulation B	NARBF3000-NO-B-1



Blank plate

When disassembling valve for maintenance purposes or when spare manifold stations are required, install Blank plate on the manifold block.

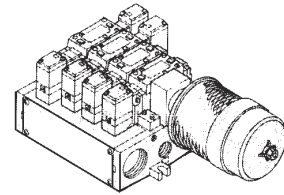
Body type	Plug-in type
Part No.	VVFS3000-10 A

Manifold Options

Exhaust Cleaner Unit

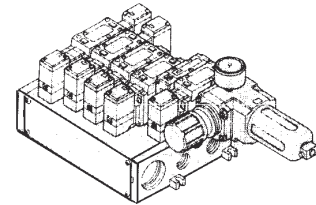
Plug-in type

- Valve exhaust noise damping: 35dB or more.
- Oil mist collection: Rate of collection 99.9% or more.
- Piping process reduced.



Control Unit

- Filter/Regulator, Pressure switch, and Air shutoff valve all combine to form one unit.
- Piping work eliminated.



For more information, refer to catalog N233