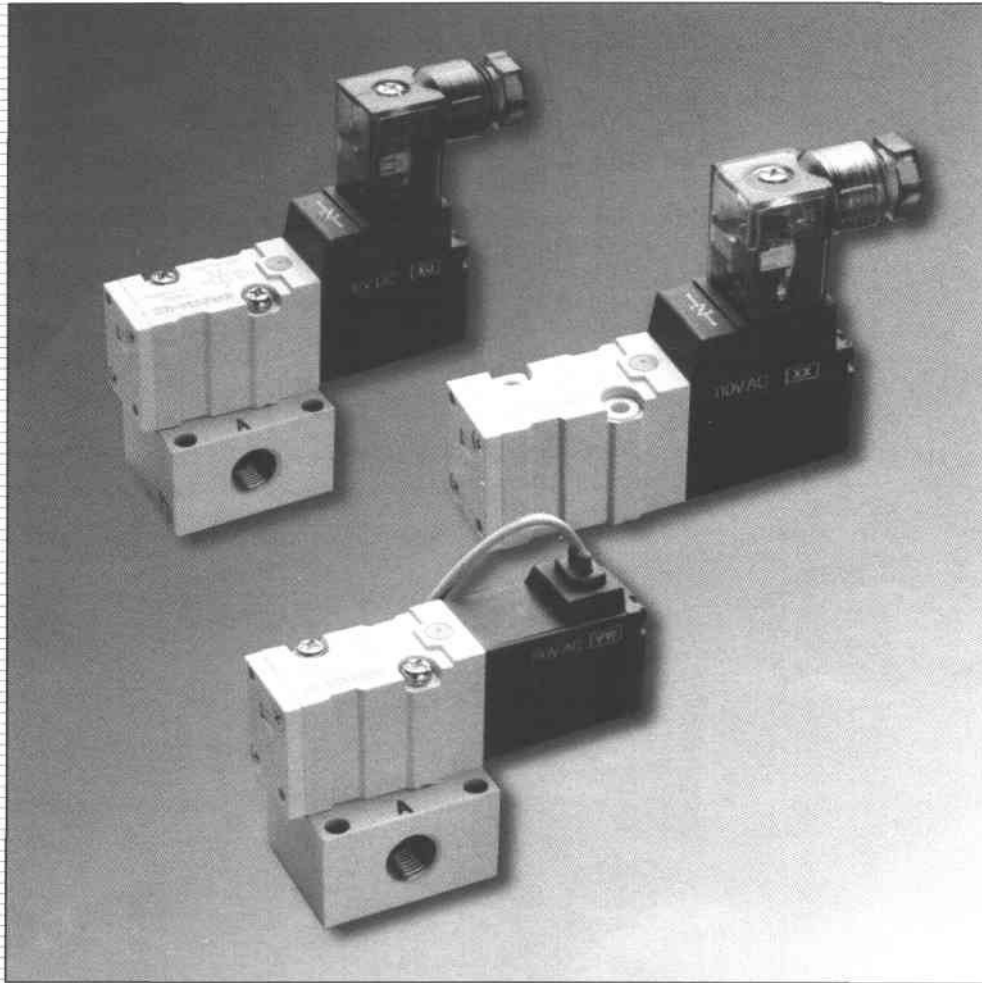




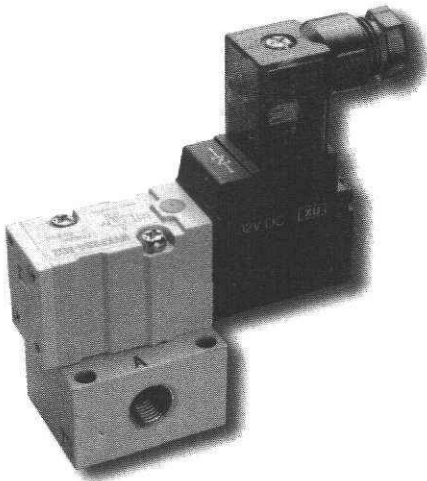
3 Way Direct Acting

NVKF 300 Series

Rubber Seal Solenoid Valve



Compact Size / Large Flow Capacity - Cv 0.25
Low Power Option Available
Vacuum Option Available
Base Mounted or Body Ported



- Large Flow Capacity - Cv 0.25
- Compact Size - width 0.73" × length 2.67"
- Low Power Consumption
4WDC (Standard model)
2WDC (Low wattage model)
- Vacuum Application Possible
- High Speed Response (10ms)

Model

Body Style	Model	Action	Operating pressure range	Port size	Cv factor	Weight	
Body ported (with bracket)	NVKF332	2 position single solenoid	0~100 PSI (0~0.7 MPa)	10-32 Nom. (M5)	0.2	0.181 lbs (80 gf)	
	NVKF332Y (Low wattage: 2WDC)				0.15		
	NVKF332V (Vacuum)		1 Torr~100 PSI (-100 KPa~0.7 MPa)		0.2		
	NVKF332W (Low wattage + Vacuum)				0.15		
Body ported (for manifold)	NVKF333		0~100 PSI (0~0.7 MPa)				0.2
	NVKF333Y (Low wattage: 2WDC)						0.15
	NVKF333V (Vacuum)		1 Torr~100 PSI (-100 KPa~0.7 MPa)				0.2
	NVKF333W (Low wattage + Vacuum)						0.15
Base mounted	NVKF334	0~100 PSI (0~0.7 MPa)	1/8 NPTF	0.25	0.271 lbs (120 gf)		
	NVKF334Y (Low wattage: 2WDC)			0.15			
	NVKF334V (Vacuum)	1 Torr~100 PSI (-100 KPa~0.7 MPa)		0.25			
	NVKF334W (Low wattage + Vacuum)			0.15			

Specifications

Model	Direct operated 2 position single solenoid
Structure	Poppet valve
Fluid	Air or Inert gas
Operating pressure range	0~100 PSI (0~0.7 MPa)
Ambient and fluid temperature	Max. 120°F (50°C)
* Response time	10ms or less (Std.) (Y, W types: 15ms)
Max. operating frequency	600 cpm
Manual override	Non-locking push type
Lubrication	Not required
Mounting position	Free
Impact / vibration resistance	30G / 5G (83~2000Hz)
Protection structure	Dust proof

* At rated voltage and without light surge voltage suppressor.

Solenoid Specifications

Electrical entry		Grommet (G), DIN Connector (D)	
Rated voltage *	AC	110V ^{50/60} HZ, 220V ^{50/60} HZ, 100V ^{50/60} HZ, 200V ^{50/60} HZ	
	DC	12V, 24V	
Allowance voltage range		±10% rated voltage	
Coil insulation		Class B or equivalent	
* Temperature rise		130°F or less (Standard) 95°F or less (Low power consumption)	
* Apparent power	AC	Standard	Inrush 8VA / 60Hz, 9.5VA / 50Hz Holding 5VA / 60Hz, 7VA / 50Hz
		Continuous duty	Inrush 3.3VA / 60Hz, 3.5VA / 50Hz Holding 2.8VA / 60Hz, 3VA / 50Hz
* Power consumption	DC	Without light	4W (Standard), 2W (Low power consumption Y, W types)
		With light	4.3W (Standard), 2.3W (Low power consumption Y, W types)
Surge voltage suppressor		AC: Resistor DC: Diode	
Indicator light		AC: Neon lamp DC: LED	

* When applied at rated voltage.

* Contact SMC for availability.

*** Voltage**

3	110VAC ^{50/60} Hz
4	220VAC ^{50/60} Hz
5	24VDC
6	12VDC
*9	Others ^{Note1)}

* Special order
 Note1) Indicate in parentheses at end of part #
 Ex. (AC24V)

Electrical entry

G	Grommet Lead wire length: 12inch (300mm)
D	DIN connector

* (H) Grommet type with 24 inch leads is also available. Special order only.

Port size

M5	10-32 Nom. (M5)
01T	1/8 NPTF (A port only)

Part no. of option

Description	Part no.	Note
Bracket	VKF300-13A-1	With screw
Manifold gasket	VKF300-11A-2	Body ported With screw
	VKF300-11A-1	Base mounted With screw

Body ported

NVKF332



(With bracket)

Body ported

NVKF333



(Manifold only)

Base mounted

NVKF334



Valve option

-	(Standard)
V	Vacuum
* Y	Low power consumption
* W	Vacuum· Low power consumption

* Special order

Port size

-	Without subplate
01T	1/8 NPTF subplate

Indicator light / Surge voltage suppressor

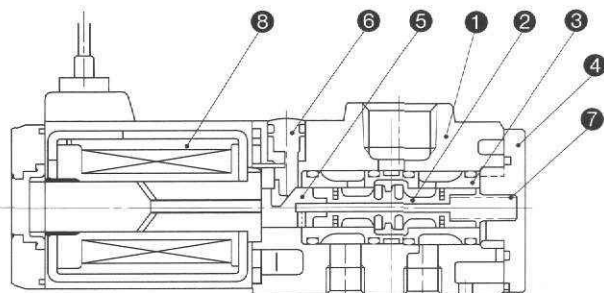
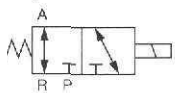
-	None
* S	With surge voltage suppressor
Z	With indicator light and surge voltage suppressor (D type only)

* Z option is not available with grommet.

* Special order

Construction / Parts List

Symbol



Main Parts

No.	Description	Material	Note
1	Body	Aluminum	
2	Spool valve ass'y		
3	Sleeve ass'y		
4	End plate	Resin	
5	Manual guide	Resin	
6	Manual override ass'y		
7	Return spring	Stainless steel	
8	Coil ass'y		

Series NVKF300 Manifold

Specifications

Valve stations	2~20 stations (max.)	
Manifold	Common SUP. Common EXH.	Body ported, Base mounted
	Common SUP. Individual EXH.	Body ported

How to Order Manifold

Common Supply, Common Exhaust

Body ported / Type 20
(A port: top porting)

NVV3KF3-20-05-00T-

Stations		Optional accessory	
02	2 stations	-	None
⋮	⋮		
20	20 stations	F	With bracket (Not mounted)

Applicable valves
NVKF333○-○○○-M5
NVKF333○-○○○-01T

Applicable blank plate ass'y
VK300-42-1A
Bracket
VK300-43-1A

Base mounted / Type 40
(A port: bottom porting)

NVV3KF3-40-05-01T-

Stations		Optional accessory	
02	2 stations	-	None
⋮	⋮		
20	20 stations	F	With bracket (Not mounted)

Port size	
01T	1/8 NPTF

Applicable valves
NVKF334○-○○○

Applicable blank plate ass'y
VK300-42-1A

Bracket
VK300-43-1A

Base mounted / Type 42
(A port: side porting)

NVV3KF3-○42-05-01T

Base mounted / Type S42
(Position of solenoid
same as A port side.)

Position of solenoid		Stations	
-	Opposite side of A port	02	2 stations
		⋮	⋮
S	Same side as A port	20	20 stations

Port size	
01T	1/8 NPTF
B3T	One touch fitting for 5/32" tube
B7T	One touch fitting for 1/4" tube

Applicable valves
NVKF334○-○○○

Applicable blank plate ass'y
VK300-42-1A

Common Supply, Individual Exhaust

Body ported / Type 21
(A port: top porting)

NVV3KF3-21-05-00T

Stations	
02	2 stations
⋮	⋮
20	20 stations

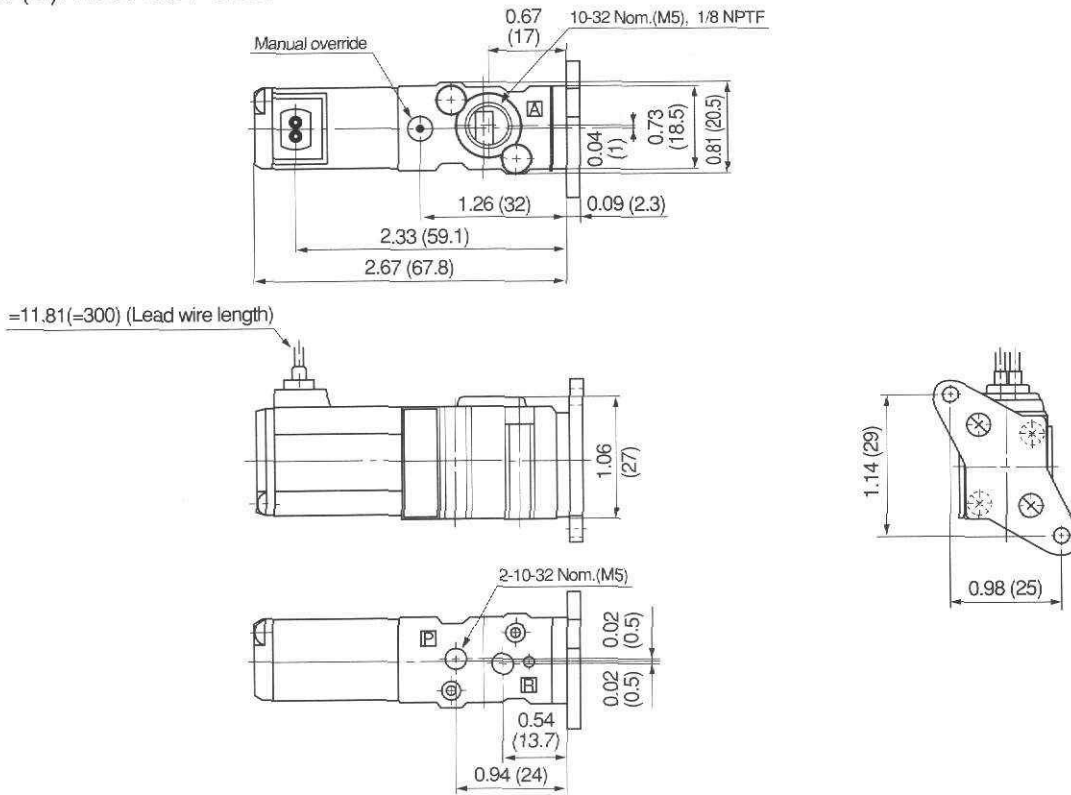
Applicable valves
NVKF333○-○○○-M5
NVKF333○-○○○-01T

Applicable blank plate ass'y
VK300-42-1A

3 Body Ported

inch (mm)

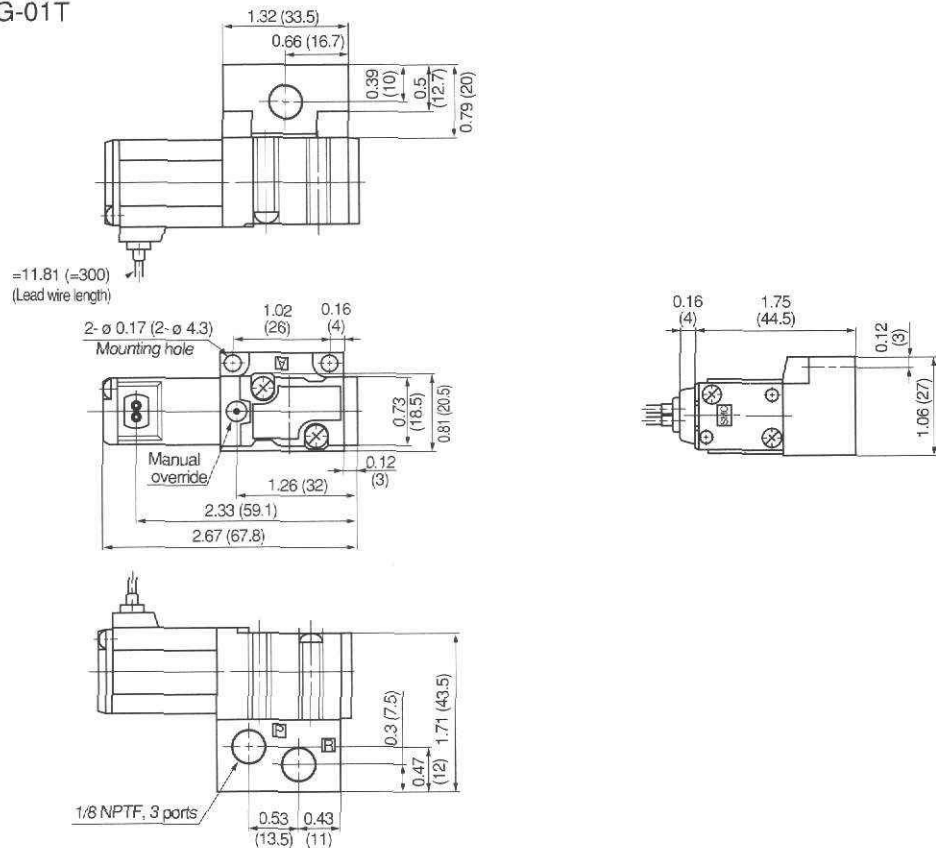
Ørommet (G): NVKF332-*G-M5



3 Base Mounted

inch (mm)

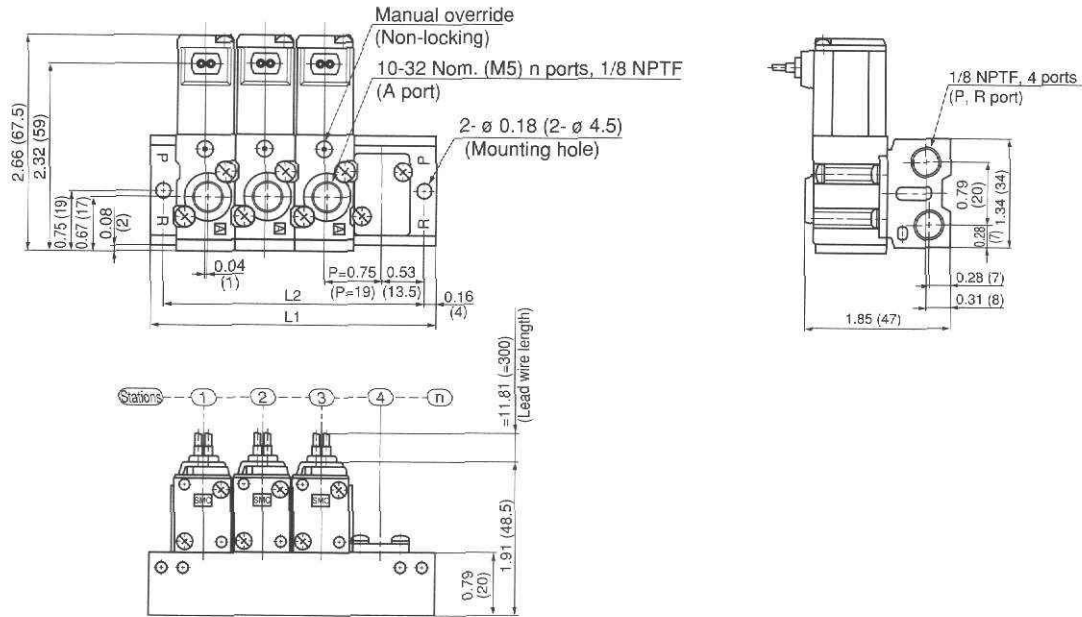
Ørommet (G): NVKF334-*G-01T



Body Ported (Top Ported) / Type 20 Manifold

NVV3KF3-20-Stations-00T

inch (mm)



L: Dimensions

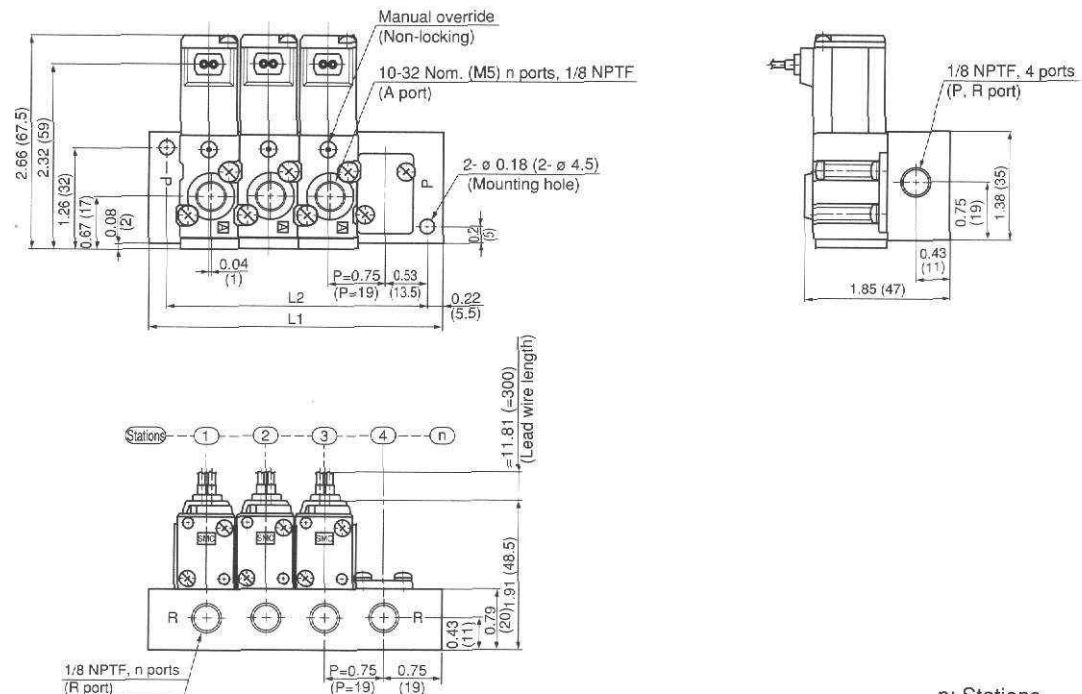
n: Stations

L \ n	1	2	3	4	5	6	7	8	9	10	11	12	13	14	15	16	17	18	19	20
L1	1.38 (35)	2.13 (54)	2.87 (73)	3.62 (92)	4.37 (111)	5.12 (130)	5.87 (149)	6.61 (168)	7.36 (187)	8.11 (206)	8.86 (225)	9.61 (244)	10.35 (263)	11.1 (282)	11.85 (301)	12.6 (320)	13.35 (339)	14.09 (358)	14.84 (377)	15.59 (396)
L2	1.06 (27)	1.81 (46)	2.56 (65)	3.31 (84)	4.06 (103)	4.8 (122)	5.55 (141)	6.3 (160)	7.05 (179)	7.8 (198)	8.54 (217)	9.29 (236)	10.04 (255)	10.79 (274)	11.54 (293)	12.28 (312)	13.03 (331)	13.78 (350)	14.53 (369)	15.28 (388)

Body Ported (Top Ported) / Type 21 Manifold

NVV3KF3-21-Stations-00T

inch (mm)



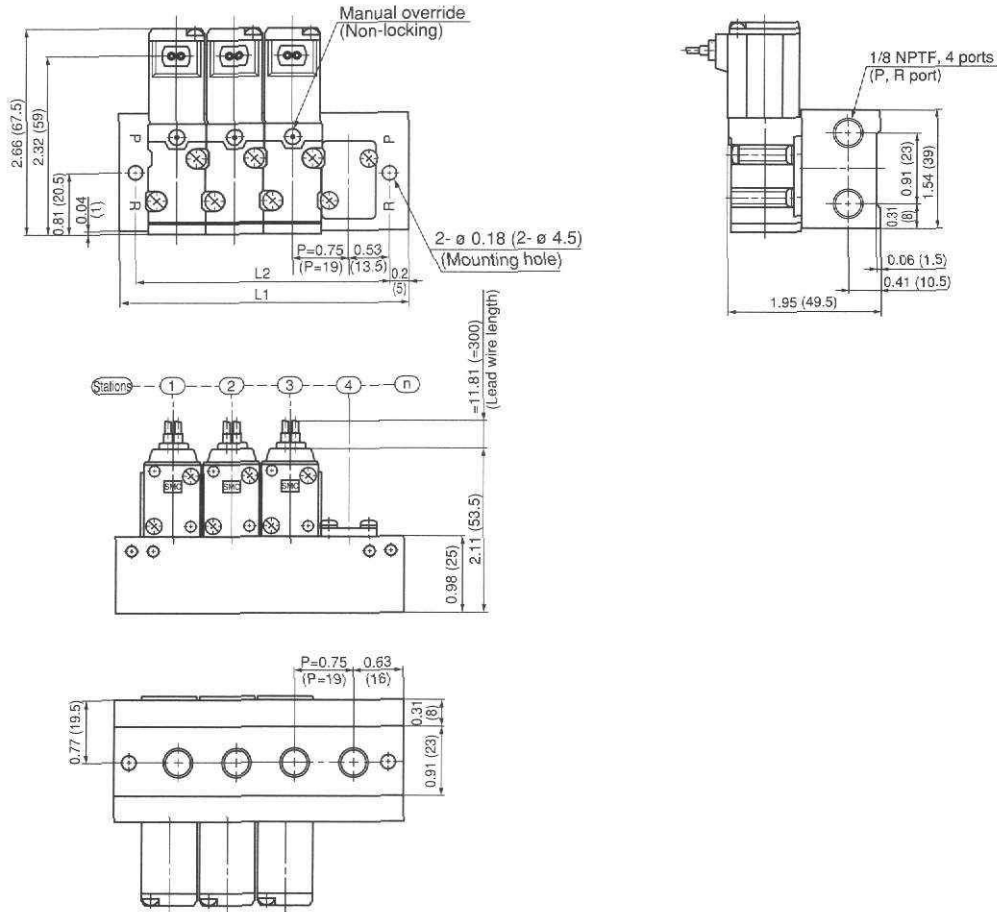
L: Dimensions

n: Stations

L \ n	1	2	3	4	5	6	7	8	9	10	11	12	13	14	15	16	17	18	19	20
L1	1.5 (38)	2.24 (57)	2.99 (76)	3.74 (95)	4.49 (114)	5.24 (133)	5.98 (152)	6.73 (171)	7.48 (190)	8.23 (209)	8.98 (228)	9.72 (247)	10.47 (266)	11.22 (285)	11.97 (304)	12.72 (323)	13.46 (342)	14.21 (361)	14.96 (380)	15.71 (399)
L2	1.06 (27)	1.81 (46)	2.56 (65)	3.31 (84)	4.06 (103)	4.8 (122)	5.55 (141)	6.3 (160)	7.05 (179)	7.8 (198)	8.54 (217)	9.29 (236)	10.04 (255)	10.79 (274)	11.54 (293)	12.28 (312)	13.03 (331)	13.78 (350)	14.53 (369)	15.28 (388)

3ase Mounted (Bottom Ported) / Type 40 Manifold
JVV3KF3-40-Stations-01T

inch (mm)



L: Dimensions

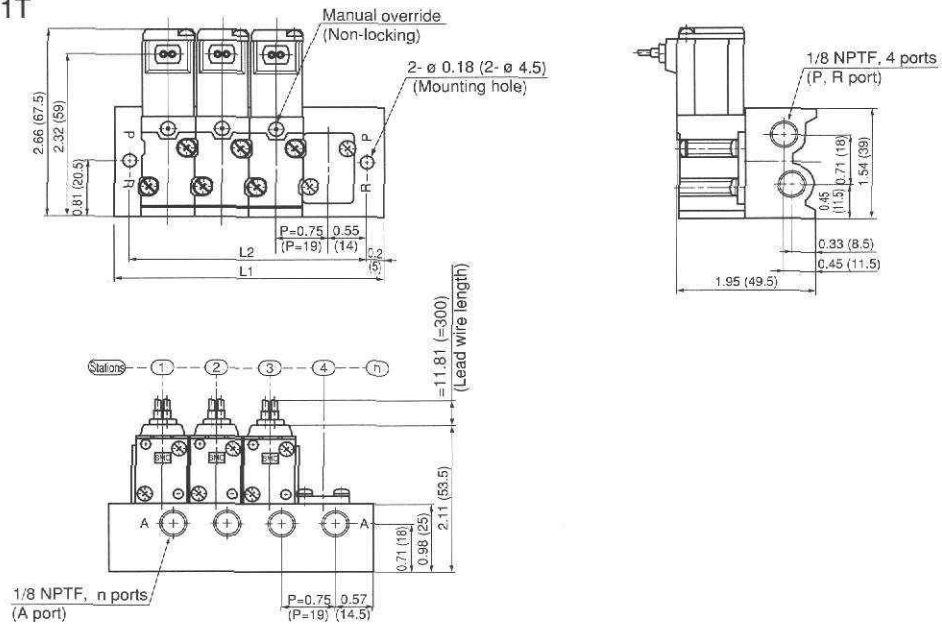
n: Stations

L \ n	1	2	3	4	5	6	7	8	9	10	11	12	13	14	15	16	17	18	19	20
L1	1.46 (37)	2.20 (56)	2.95 (75)	3.7 (94)	4.45 (113)	5.2 (132)	5.94 (151)	6.7 (170)	7.44 (189)	8.19 (208)	8.94 (227)	9.69 (246)	10.43 (265)	11.18 (284)	11.93 (303)	12.68 (322)	13.43 (341)	14.17 (360)	14.92 (379)	15.67 (398)
L2	1.06 (27)	1.81 (46)	2.56 (65)	3.31 (84)	4.06 (103)	4.8 (122)	5.55 (141)	6.3 (160)	7.04 (179)	7.8 (198)	8.54 (217)	9.3 (236)	10.04 (255)	10.79 (274)	11.54 (293)	12.28 (312)	13.03 (331)	13.78 (350)	14.53 (369)	15.28 (388)

Base Mounted (Side Ported) / Type 42 Manifold

NVV3KF3-42-Stations-01T

inch (mm)



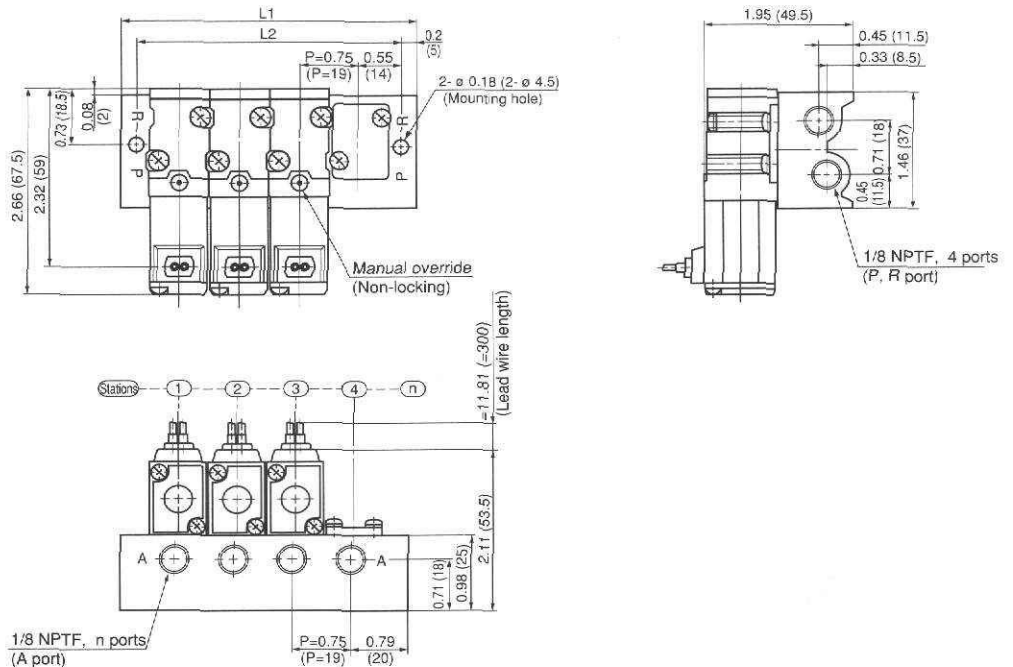
L: Dimensions

L \ n	n: Stations																			
	1	2	3	4	5	6	7	8	9	10	11	12	13	14	15	16	17	18	19	20
L1	1.5 (38)	2.24 (57)	2.99 (76)	3.74 (95)	4.49 (114)	5.24 (133)	5.98 (152)	6.73 (171)	7.48 (190)	8.23 (209)	8.98 (228)	9.72 (247)	10.47 (266)	11.22 (285)	11.97 (304)	12.72 (323)	13.46 (342)	14.21 (361)	14.96 (380)	15.71 (399)
L2	1.1 (28)	1.85 (47)	2.6 (66)	3.35 (85)	4.09 (104)	4.84 (123)	5.59 (142)	6.34 (161)	7.09 (180)	7.83 (199)	8.58 (218)	9.33 (237)	10.08 (256)	10.83 (275)	11.57 (294)	12.32 (313)	13.07 (332)	13.82 (351)	14.57 (370)	15.31 (389)

Base Mounted (Side Ported) / Type S42 Manifold

NVV3KF3-S42-Stations-01T

inch (mm)



L: Dimensions

L \ n	n: Stations																			
	1	2	3	4	5	6	7	8	9	10	11	12	13	14	15	16	17	18	19	20
L1	1.5 (38)	2.24 (57)	2.99 (76)	3.74 (95)	4.49 (114)	5.24 (133)	5.98 (152)	6.73 (171)	7.48 (190)	8.23 (209)	8.98 (228)	9.72 (247)	10.47 (266)	11.22 (285)	11.97 (304)	12.72 (323)	13.46 (342)	14.21 (361)	14.96 (380)	15.71 (399)
L2	1.1 (28)	1.85 (47)	2.6 (66)	3.35 (85)	4.09 (104)	4.84 (123)	5.59 (142)	6.34 (161)	7.09 (180)	7.83 (199)	8.58 (218)	9.33 (237)	10.08 (256)	10.83 (275)	11.57 (294)	12.32 (313)	13.07 (332)	13.82 (351)	14.57 (370)	15.31 (389)

World Wide SMC Support...

North American Branch Offices For a branch office near you call: 1-800-SMC-SMC1 (762-7621)

SMC Pneumatics Inc. (Atlanta)
1440 Lakes Parkway, Suite 600
Lawrenceville, GA 30043
Tel: (770) 624-1940
FAX: (770) 624-1943

SMC Pneumatics Inc. (Cleveland)
2305 East Aurora Rd., Unit A-3
Twinsburg, OH 44087
Tel: (330) 963-2727
FAX: (330) 963-2730

SMC Pneumatics Inc. (Milwaukee)
16850 W. Victor Road
New Berlin, WI 53151
Tel: (414) 827-0080
FAX: (414) 827-0092

SMC Pneumatics Inc. (Richmond)
5377 Glen Alden Drive
Richmond, VA 23231
Tel: (804) 222-2762
FAX: (804) 222-5221

SMC Pneumatics Inc. (Austin)
2324-D Ridgepoint Drive
Austin, TX 78754
Tel: (512) 926-2646
FAX: (512) 926-7055

SMC Pneumatics Inc. (Columbus)
3687 Corporate Drive
Columbus, OH 43231
Tel: (614) 895-9765
FAX: (614) 895-9780

SMC Pneumatics Inc. (Mnpls.)
990 Lone Oak Road, Suite 162
Eagan, MN 55121
Tel: (651) 688-3490
FAX: (651) 688-9013

SMC Pneumatics Inc. (Rochester)
245 Summit Point Drive
Henrietta, NY 14467
Tel: (716) 321-1300
FAX: (716) 321-1865

SMC Pneumatics Inc. (Boston)
Zero Centennial Drive
Peabody, MA 01960
Tel: (978) 326-3600
Fax: (978) 326-3700

SMC Pneumatics Inc. (Dallas)
12801 N. Stemmons Frwy, Ste. 815
Dallas, TX 75234
Tel: (972) 406-0082
FAX: (972) 406-9904

SMC Pneumatics Inc. (Nashville)
5000 Linbar Drive, Suite 297
Nashville, TN 37211
Tel: (615) 331-0020
FAX: (615) 331-9950

SMC Pneumatics Inc. (S.F.)
85 Nicholson Lane
San Jose, CA 95134
Tel: (408) 943-9600
FAX: (408) 943-9111

SMC Pneumatics Inc. (Charlotte)
5029-B West W.T. Harris Blvd.
Charlotte, NC 28269
Tel: (704) 597-9292
FAX: (704) 596-9561

SMC Pneumatics Inc. (Detroit)
2990 Technology Drive
Rochester Hills, MI 48309
Tel: (248) 299-0202
FAX: (248) 293-3333

SMC Pneumatics Inc. (Newark)
3434 US Hwy. 22 West, Ste. 110
Somerville, NJ 08876
Tel: (908) 253-3241
FAX: (908) 253-3452

SMC Pneumatics Inc. (St. Louis)
4130 Rider Trail North
Earth City, MO 63045
Tel: (314) 209-0080
FAX: (314) 209-0085

SMC Pneumatics Inc. (Chicago)
27725 Diehl Road
Warrenville, IL 60555
Tel: (630) 393-0080
FAX: (630) 393-0084

SMC Pneumatics Inc. (Houston)
9001 Jameel, Suite 180
Houston, TX 77040
Tel: (713) 460-0762
FAX: (713) 460-1510

SMC Pneumatics Inc. (Phoenix)
2001 W. Melinda Lane
Phoenix, AZ 85027
Tel: (623) 492-0908
FAX: (623) 492-9493

SMC Pneumatics Inc. (Tampa)
8507-H Benjamin Road
Tampa, FL 33634
Tel: (813) 243-8350
FAX: (813) 243-8621

SMC Pneumatics Inc. (Cincinnati)
4598 Olympic Blvd.
Erlanger, KY 41018
Tel: (606) 647-5600
FAX: (606) 647-5609

SMC Pneumatics Inc. (L.A.)
14191 Myford Road
Tustin, CA 92780
Tel: (714) 669-1701
FAX: (714) 669-1715

SMC Pneumatics Inc. (Portland)
14107 N.E. Airport Way
Portland, OR 97230
Tel: (503) 252-9299
FAX: (503) 252-9253

SMC Pneumatics Inc. (Tulsa)
10203 A East 61st Street
Tulsa, OK 74146
Tel: (918) 252-7820
FAX: (918) 252-9511

Europe
ENGLAND
SMC Pneumatics (U.K.) Ltd.
GERMANY
SMC Pneumatik GmbH
ITALY
SMC Italia SpA
FRANCE
SMC Pneumatique SA
HOLLAND
SMC Controls BV
SWEDEN
SMC Pneumatics Sweden AB
SWITZERLAND
SMC Pneumatik AG
AUSTRIA
SMC Pneumatik GmbH
SPAIN
SMC España, S.A.
IRELAND
SMC Pneumatics (Ireland) Ltd.
Asia
JAPAN

SMC Corporation
KOREA
SMC Pneumatics Korea Co., Ltd.
CHINA
SMC (China) Co., Ltd.
HONG KONG
SMC Pneumatics (Hong Kong) Ltd.
SINGAPORE
SMC Pneumatics (S.E.A.) Pte. Ltd.
PHILIPPINES
SMC Pneumatics (Philippines), Inc.
MALAYSIA
SMC Pneumatics (S.E.A.) Sdn. Bhd.
TAIWAN
SMC Pneumatics (Taiwan) Co., Ltd.
THAILAND
SMC Thailand Ltd.
INDIA
SMC Pneumatics (India) Pvt., Ltd.
North America
CANADA
SMC Pneumatics (Canada) Ltd.
MEXICO
SMC Pneumatics (Mexico) S.A. de C.V.

South America
ARGENTINA
SMC Argentina S.A.
CHILE
SMC Pneumatics (Chile) Ltda.

Oceania
AUSTRALIA
SMC Pneumatics (Australia) Pty. Ltd.
NEW ZEALAND
SMC Pneumatics (N.Z.) Ltd.

SMC offers the same quality and engineering expertise in many other pneumatic components

Valves
Directional Control Valves
Manual Valves
Mufflers
Exhaust Cleaners
Quick Exhaust Valves

Valves
Proportional Valves
Mechanical Valves
Miniature Valves
Fluid Valves

Cylinders/Actuators
Compact Cylinders
Miniature Cylinders
Rodless Cylinders
Rotary Actuators
Pneumatic Grippers

Vacuum
Vacuum Ejectors
Vacuum Accessories
Instrumentation
Pneumatic Positioners
Pneumatic Transducers

Air Preparation Equipment
Filters-Regulators-Lubricators
Coalescing Filters
Micro Mist Separators
Fittings
Air Fittings

SMC Pneumatics Inc.

P.O. Box 26640, Indianapolis, IN 46226
Tel: (317) 899-4440 • FAX: (317) 899-3102